

Service
Service
Service



Service Manual



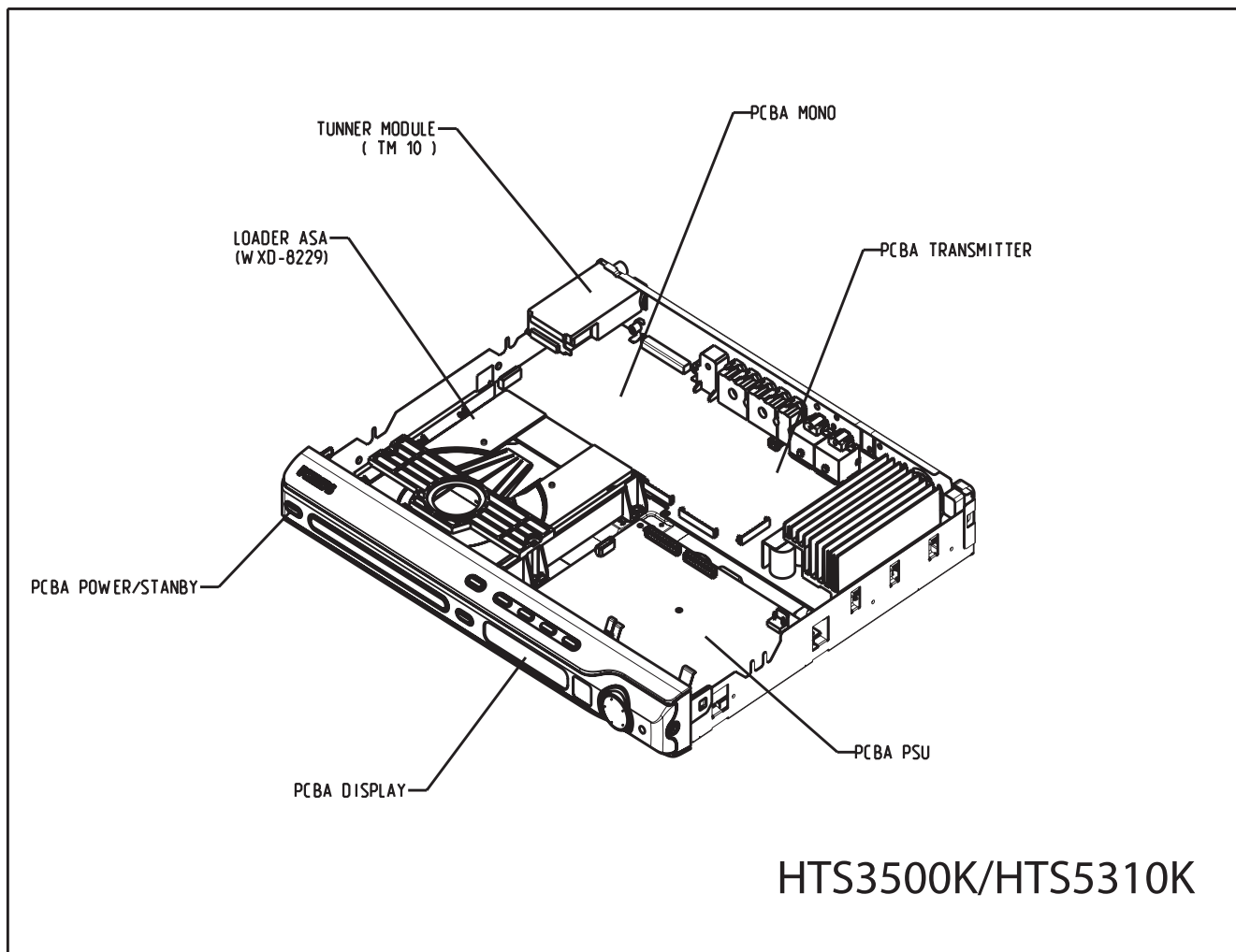
Contents	Page
1 Technical Specifications and Connection Facilities	2
2 Measurements Setup, Service Aid & Lead Free Requirements	4
3 Direction For Use	8
4 Dismantling Instructions & Service Positions	12
5 Service Test Program	14
6 FTD Display Pin Connection	16
7 Block Diagram	17
Wiring Diagram	18
8 Circuit Diagram and PWB Layout	19
Front: Display	19
Front: Display (Top view)	20
Front: Display (Bottom view)	21
Front: Standby	22
Mono Board: Circuit Diagram (Part 1)	23
Mono Board: Circuit Diagram (Part 2)	24
Mono Board: Circuit Diagram (Part 3)	25
Mono Board: Circuit Diagram (Part 4)	26
Mono Board: Circuit Diagram (Part 5)	27
Mono Board: Circuit Diagram (Part 6)	28
Mono Board: Circuit Diagram (Part 7)	29
Mono Board: Circuit Diagram (Part 8)	30
Mono Board: Circuit Diagram (Part 9)	31
Layout: Mono Board (Top View)	32
Layout: Mono Board (Bottom View)	33
PSU Circuit Diagram	34

Contents	Page
9 Exploded View & Spare Parts List	35
Exploded View of the set	35
Spare Part List	36

© Copyright 2005 Philips Consumer Electronics B.V. Eindhoven, The Netherlands.
 All rights reserved. No part of this publication may be reproduced, stored in a retrieval system or transmitted, in any form or by any means, electronic, mechanical, photocopying, or otherwise without the prior permission of Philips.



LOCATION OF PC BOARDS



VERSION VARIATIONS:

	HTS3300K & HTS3610k	HTS3500K & HTS5310k
Video (Yellow, Cinch)	x	x
Component Video Output, (Y/Pb/Pr)	x	x
Digital In - Coaxial	x	x
TV In (Left/Right)	x	x
Auxiliary (Left/Right)	x	x
Line out (Audio)		x
S-Video Output		x
Progressive Scan		x

1. Specifications

1.1 General:

Mains voltage	: 230V
Mains frequency	: 50Hz
Power consumption	: 100W
	< 0.5W Eco standby power
	< 100W at 1/8 P _{rated} (For main unit)
Dimension main unit	: 360 x 54 x 324mm

1.2 Tuner FM

Tuning range	: 87.5-108MHz
Grid	: 50kHz
IF frequency	: 10.7MHz ± 25kHz
Aerial input	: 75Ω coaxial
Sensitivity at 26dB S/N	: < 7μV
Selectivity at 600kHz bandwidth	: > 25dB
IF rejection	: > 60dB
Image rejection	: > 25dB
Distortion at RF=1mV, dev. 75kHz	: < 3%
-3dB Limiting point	: < 8μV
Crosstalk at RF=1mV, dev. 67.5kHz	: > 28dB
Crosstalk at RF=1mV, dev. 40kHz	: > 18dB

MW

Tuning range	: 531-1602kHz
Grid	: 9kHz
IF frequency	: 450kHz ± 1kHz
Aerial input	: Frame aerial
Sensitivity at 26dB S/N	: < 4.0mV/M
Selectivity at 18kHz bandwidth	: > 20dB
IF rejection	: > 45dB
Image rejection	: > 28dB
Distortion at RF=50mV, m=80%	: < 5%

1.3 AMPLIFIER:

Output power	
Front	: 100W RMS / channel
Rear	: 75W RMS / channel
Center	: 100W RMS
Subwoofer	: 150W RMS
Frequency response ±0.5dB	: 20Hz-20kHz
Hum (Volume Minimum)	: 200nW
Residual noise (Volume Minimum)	: 40nW

Input sensitivity	
Aux In	: 1V ± 3dB at 22kΩ
Scart In	: 1V ± 3dB at 22kΩ

Output sensitivity	
Line Out (Left/Right)	: 1V ± 2dB at 10kΩ
Scart Out (Left/Right)	: 1V ± 2dB at 10kΩ

1.4 COMPACT DISC/VCD/DVD:

Video Decoding	: MPEG-1/MPEG-2/ MPEG-4/DivX 3.11, 4.x & 5.x
Video DAC	: 12 Bits
Signal System	: PAL / NTSC
Video Format	: 4:3 / 16:9

CVBS Out ¹⁾	
CVBS level	: 1.0 ± 0.1V _{p-p}
Luminance S/N	: >= 60dB

S-Video Out ¹⁾	
Y level	: 1.0 ± 0.1V _{p-p}
Y S/N	: >= 60dB
C level (burst)	: 286mV _{pp} +1/-4 dB

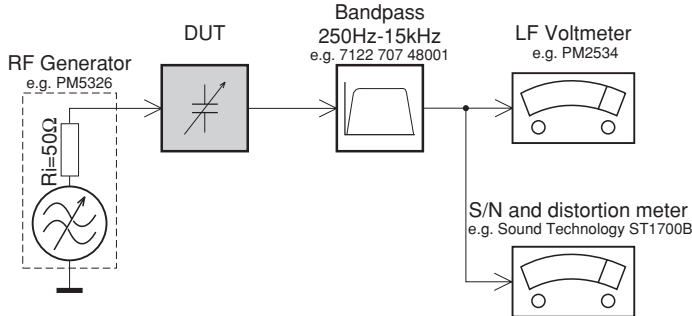
RGB/YUV Out 1)	
Amplitude	: 1.0 ± 0.1V _{p-p}
S/N	: >= 60dB

¹⁾ Output terminals to be terminated with 75Ω

2. Measurements Setup, Service Aid & Lead Free Requirements

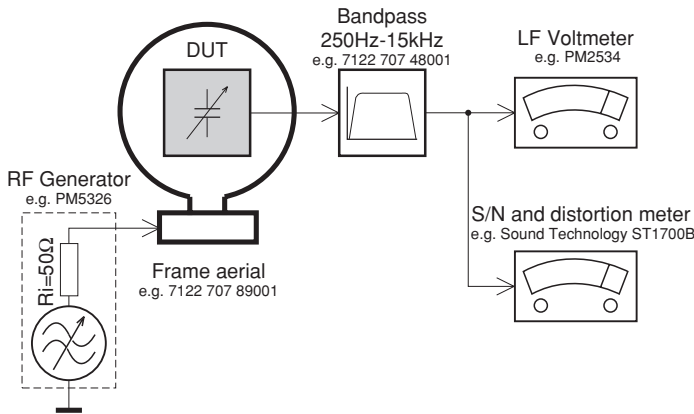
MEASUREMENT SETUP

Tuner FM



Use a bandpass filter to eliminate hum (50Hz, 100Hz) and disturbance from the pilotone (19kHz, 38kHz).

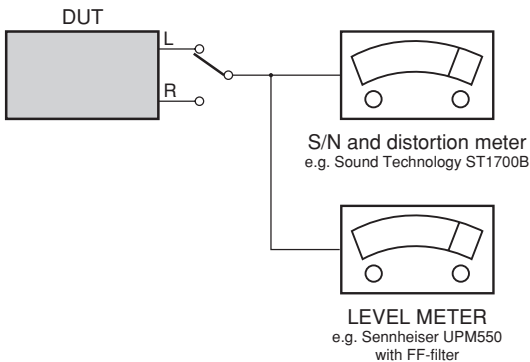
Tuner AM (MW,LW)



To avoid atmospheric interference all AM-measurements have to be carried out in a Faraday's cage. Use a bandpass filter (or at least a high pass filter with 250Hz) to eliminate hum (50Hz, 100Hz).

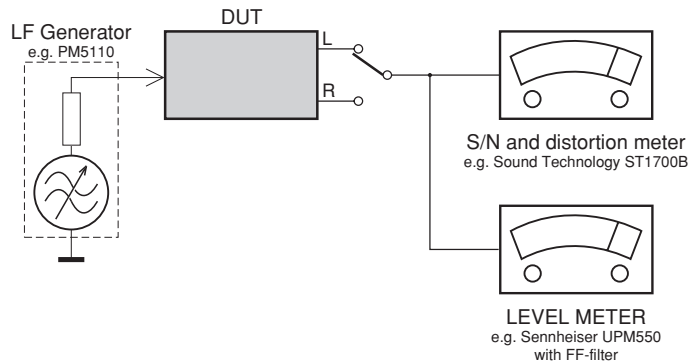
CD

Use Audio Signal Disc SBC429 4822 397 30184 (replaces test disc 3)



Recorder

Use Universal Test Cassette **CrO2** SBC419 4822 397 30069 or Universal Test Cassette **Fe** SBC420 4822 397 30071



SERVICE AIDS

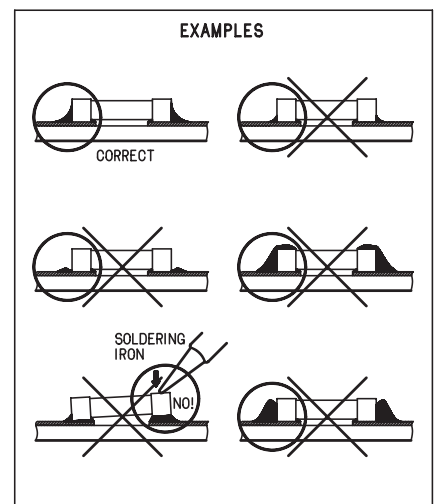
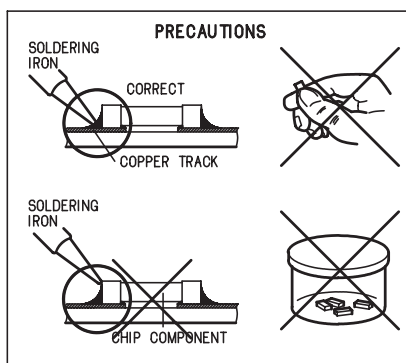
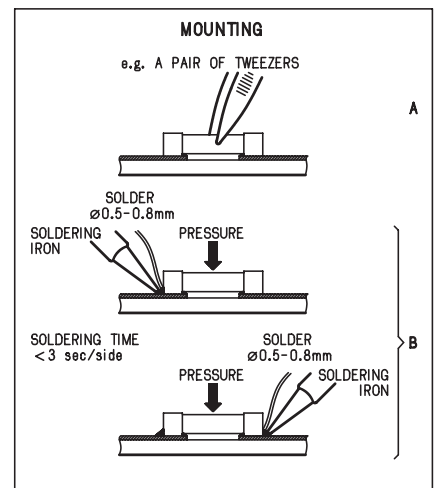
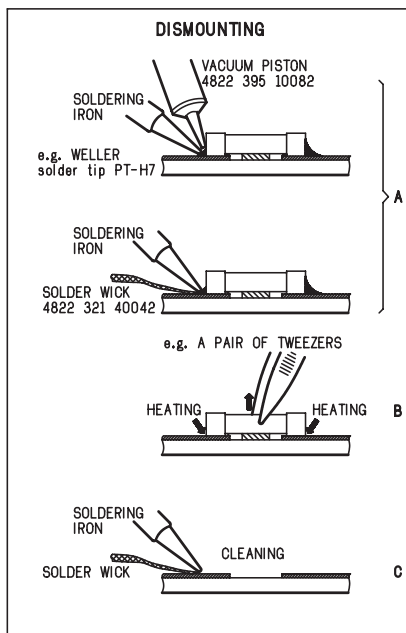
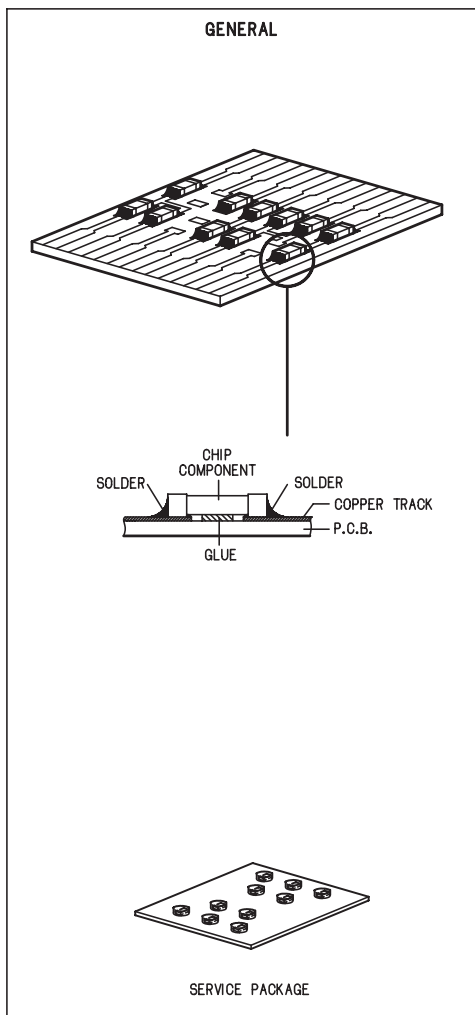
Service Tools:

Universal Torx driver holder	4822 395 91019
Torx bit T10 150mm	4822 395 50456
Torx driver set T6 - T20	4822 395 50145
Torx driver T10 extended	4822 395 50423

Compact Disc:

SBC426/426A Test disc 5 + 5A	4822 397 30096
SBC442 Audio Burn-in Test disc 1kHz	4822 397 30155
SBC429 Audio Signals disc	4822 397 30184
Dolby Pro-logic Test Disc	4822 395 10216

HANDLING CHIP COMPONENTS



(GB) WARNING

All ICs and many other semi-conductors are susceptible to electrostatic discharges (ESD). Careless handling during repair can reduce life drastically.

When repairing, make sure that you are connected with the same potential as the mass of the set via a wrist wrap with resistance. Keep components and tools also at this potential.

ESD**(NL) WAARSCHUWING**

Alle IC's en vele andere halfgeleiders zijn gevoelig voor electrostatische ontladingen (ESD). Onzorgvuldig behandelen tijdens reparatie kan de levensduur drastisch doen verminderen.

Zorg ervoor dat u tijdens reparatie via een polsband met weerstand verbonden bent met hetzelfde potentiaal als de massa van het apparaat.

Houd componenten en hulpmiddelen ook op hetzelfde potentiaal.

(F) ATTENTION

Tous les IC et beaucoup d'autres semi-conducteurs sont sensibles aux décharges statiques (ESD).

Leur longévité pourrait être considérablement écourtée par le fait qu'aucune précaution n'est prise à leur manipulation.

Lors de réparations, s'assurer de bien être relié au même potentiel que la masse de l'appareil et enfiler le bracelet serti d'une résistance de sécurité.

Veiller à ce que les composants ainsi que les outils que l'on utilise soient également à ce potentiel.

(D) WARNUNG

Alle ICs und viele andere Halbleiter sind empfindlich gegenüber elektrostatischen Entladungen (ESD).

Unvorsichtige Behandlung im Reparaturfall kann die Lebensdauer drastisch reduzieren.

Veranlassen Sie, dass Sie im Reparaturfall über ein Pulsarmband mit Widerstand verbunden sind mit dem gleichen Potential wie die Masse des Gerätes.

Bauteile und Hilfsmittel auch auf dieses gleiche Potential halten.

(I) AVVERTIMENTO

Tutti IC e parecchi semi-conduttori sono sensibili alle scariche statiche (ESD).

La loro longevità potrebbe essere fortemente ridotta in caso di non osservazione della più grande cauzione alla loro manipolazione.

Durante le riparazioni occorre quindi essere collegato allo stesso potenziale che quello della massa dell'apparecchio tramite un braccialetto a resistenza.

Assicurarsi che i componenti e anche gli utensili con quali si lavora siano anche a questo potenziale.

(GB) ESD PROTECTION EQUIPMENT:

Complete Kit ESD3 (small tablemat, wristband, connection box, extension cable and earth cable) 4822 310 10671
Wristband tester 4822 344 13999

(GB)

Safety regulations require that the set be restored to its original condition and that parts which are identical with those specified, be used

Safety components are marked by the symbol \triangle .

(NL)

Veiligheidsbepalingen vereisen, dat het apparaat bij reparatie in zijn oorspronkelijke toestand wordt teruggebracht en dat onderdelen, identiek aan de gespecificeerde, worden toegepast.

De Veiligheidsonderdelen zijn aangeduid met het symbool \triangle .

(F)

Les normes de sécurité exigent que l'appareil soit remis à l'état d'origine et que soient utilisées les pièces de rechange identiques à celles spécifiées.

Less composants de sécurité sont marqués \triangle .

(D)

Bei jeder Reparatur sind die geltenden Sicherheitsvorschriften zu beachten. Der Originalzustand des Geräts darf nicht verändert werden; für Reparaturen sind Original-Ersatzteile zu verwenden.

Sicherheitsbauteile sind durch das Symbol \triangle markiert.

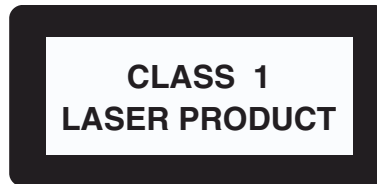
(I)

Le norme di sicurezza esigono che l'apparecchio venga rimesso nelle condizioni originali e che siano utilizzati i pezzi di ricambio identici a quelli specificati.

Componenti di sicurezza sono marcati con \triangle .

(GB)

After servicing and before returning set to customer perform a leakage current measurement test from all exposed metal parts to earth ground to assure no shock hazard exist. The leakage current must not exceed 0.5mA.

**(GB) Warning !**

Invisible laser radiation when open.
Avoid direct exposure to beam.

(S) Varning !

Osynlig laserstrålning när apparaten är öppnad och spårren är urkopplad. Betrakta ej strålen.

(SF) Varoitus !

Avatussa laitteessa ja suojalukituksen ohitettaessa olet alltiina näkymättömälle laserisäteilylle. Älä katso säteeseen!

(DK) Advarse !

Usynlig laserstrålning ved åbning når sikkerhedsafbrydere er ude af funktion. Undgå udsættelse for strålning.

(F)

"Pour votre sécurité, ces documents doivent être utilisés par des spécialistes agréés, seuls habilités à réparer votre appareil en panne".

2.1 Lead Free Requirements

Pb(Lead) Free Solder

When soldering, be sure to use the pb free solder.

IDENTIFICATION:



Regardless of special logo (not always indicated)

one must treat all sets from **1 Jan 2005** onwards, according next rules:

Important note: In fact also products of year 2004 must be treated in this way as long as you avoid mixing solder-alloys (leaded/ lead-free). So best to always use SAC305 and the higher temperatures belong to this.

Due to lead-free technology some rules have to be respected by the workshop during a repair:

- Use only lead-free solder alloy Philips SAC305 with order code 0622 149 00106. If lead-free solder-paste is required, please contact the manufacturer of your solder-equipment. In general use of solder-paste within workshops should be avoided because paste is not easy to store and to handle.
 - Use only adequate solder tools applicable for lead-free solder alloy. The solder tool must be able
 - o To reach at least a solder-temperature of 400°C,
 - o To stabilize the adjusted temperature at the solder-tip
 - o To exchange solder-tips for different applications.
 - Adjust your solder tool so that a temperature around 360°C – 380°C is reached and stabilized at the solder joint. Heating-time of the solder-joint should not exceed ~ 4 sec. Avoid temperatures above 400°C otherwise wear-out of tips will rise drastically and flux-fluid will be destroyed. To avoid wear-out of tips switch off un-used equipment, or reduce heat.
 - Mix of lead-free solder alloy / parts with leaded solder alloy / parts is possible but PHILIPS recommends strongly to avoid mixed solder alloy types (leaded and lead-free). If one cannot avoid or does not know whether product is lead-free, clean carefully the solder-joint from old solder alloy and re-solder with new solder alloy (SAC305).
 - Use only original spare-parts listed in the Service-Manuals. Not listed standard-material (commodities) has to be purchased at external companies.
 - Special information for BGA-ICs:
 - always use the 12nc-recognizable soldering temperature profile of the specific BGA (for de-soldering always use the lead-free temperature profile, in case of doubt)
 - lead free BGA-ICs will be delivered in so-called 'dry-packaging' (sealed pack including a silica gel pack) to protect the IC against moisture. After opening, dependent of MSL-level seen on indicator-label in the bag, the BGA-IC possibly still has to be baked dry. (MSL=Moisture Sensitivity Level). This will be communicated via AYS-website.
- Do not re-use BGAs at all.

- For sets produced before 1.1.2005 (except products of 2004), containing leaded solder-alloy and components, all needed spare-parts will be available till the end of the service-period. For repair of such sets nothing changes.

- On our website www.atyourservice.ce.Philips.com you find more information to:

- BGA-de-/soldering (+ baking instructions)
- Heating-profiles of BGAs and other ICs used in Philips-sets

You will find this and more technical information within the "magazine", chapter "workshop news".

For additional questions please contact your local repair-helpdesk.

3.Directions For Use

The following excerpt of the Quick Use Guide serves as an introduction to the set. The Complete Direction for the Use can be downloaded in different languages from the internet site of Philips Customer care Center: www.p4c.philips.com

QUICK START GUIDE

HTS3500K
12nc: 3139 246 19191

1 what's in the box

A Main unit 	B Subwoofer 	C Remote control includes 2x AA batteries
D Front/Rear/Center speakers 		
E Video cable 	F Audio cable 	G FM wire antenna
		H MW loop antenna

2 connect TV

Note: For connecting to a Progressive Scan TV, refer to the user manual for proper connections and detailed set up.

3 connect subwoofer, speakers and antennas

3a Placement of speakers

3b Connect the speakers and subwoofer to the DVD system
(refer to the user manual for "Individual speaker volume adjustment")

3c Connect the FM and MW antennas

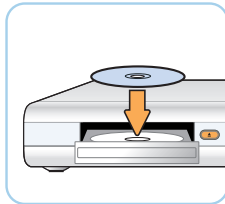
3d Connect the mains cord to the power supply

4 play a disc



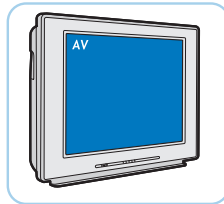
4a Press **DISC**.

Point the remote control towards the DVD system.



4b Load in a disc

Press **OPEN CLOSE** to open and close the disc tray.



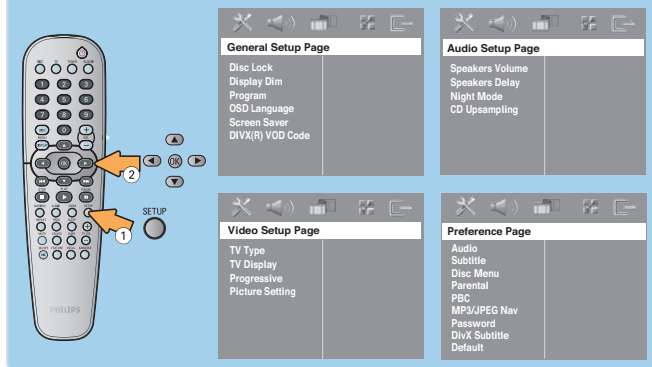
4c Select correct AV In channel

Switch to the correct input source by using the TV remote control.

GET PICTURE

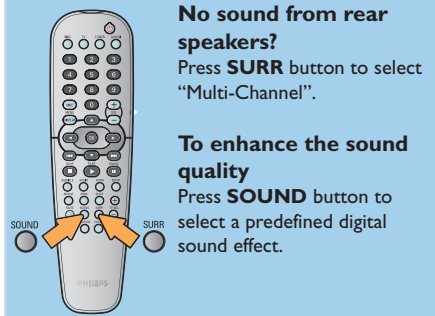
- Check the connection of the DVD system to TV is in place (see **2 Connect TV**).
- Check the AV mode on TV. It may be called **FRONT**, **A/V IN**, or **VIDEO**. Choose the different modes using TV remote control.
- Or, use the TV remote control to select Channel 1 on TV, then press Channel down button until you get the picture.
- See your TV manual for more details.

More settings and features



Refer to chapter "DVD Setup Menu Options" in the user manual for detailed descriptions.

GET SOUND

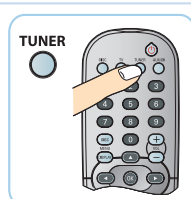


No sound from rear speakers?
Press **SURR** button to select "Multi-Channel".

To enhance the sound quality
Press **SOUND** button to select a predefined digital sound effect.

Detailed playback features and additional functions are described in the user manual.

5 programme radio stations



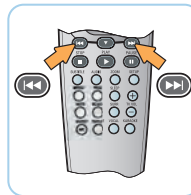
5a Press **TUNER**.

AUTO INSTALL PRESS PLAY

Note: This feature is only available for first time setup.

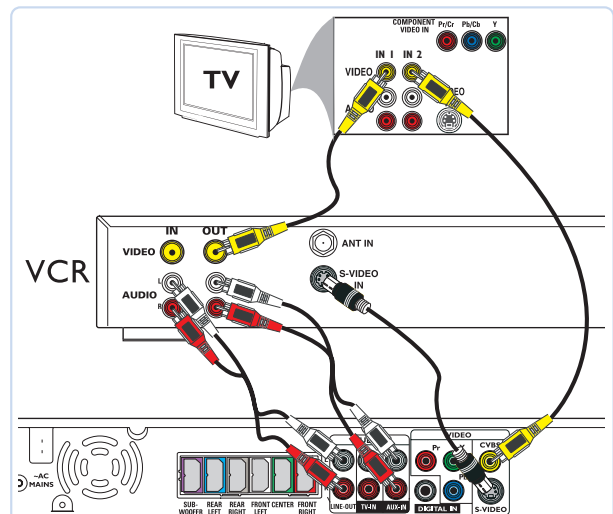


5b Press and hold **PLAY** until "START ..." appears. It will start to programme all available radio stations.



5c Once complete, use **←** / **→** to select a preset radio station.

6 optional - connect VCR



Note: **LINE OUT** will output sound only when the speakers volume are reduced to level 1 and below.

NEEDS HELP? Visit our website www.philips.com/support

Play DVD

1 Press **OPEN/CLOSE** on the front of the DVD system to open the disc tray.

2 Place DVD in tray with the label facing up.

3 Press **OPEN/CLOSE** again.

4 Press **UP** , **DOWN** , **RIGHT** or **LEFT** to scroll through the options in the DVD menu.

5 Press **PLAY** on the option you want.

6 To stop press **STOP** .

Tip Press **PLAY** to resume from where you stopped or press **STOP** and **PLAY** to start from the beginning of the title.

7 Press **DISC MENU** to go back to the DVD menu.

Listen to Radio

1 Press **TUNER** .

Front display

AUTO INSTALL **PRESS PLAY**

2 Press and hold **PLAY** until **'START'** appears.

Tip This feature is only available for first time setup, refer to user manual if you wish to program radio stations again or for manual programming.

3 Once completed you can use **NEXT** or **PREVIOUS** to select a radio station.

Experience Surround Sound

1 Press **SURR** to switch between Stereo and Multi-channel.

2 Press **SOUND** for either Concert, Drama, Action or Sci-fi preset digital sound effects.

Troubleshooting

For more troubleshooting tips, see the user manual.

Problem

No power

- Check if the AC power cord is properly connected.
- Press the **STANDBY-ON** on the front of the DVD system to turn on the power.

No picture

- Press **DISC** on remote control.
- Check connection to TV and ensure the plugs are firmly in place.

No sound or distorted sound

- Adjust the volume.
- Check the speaker connections and settings.
- Check audio connections and press **SOURCE** button to select the correct input source.

Remote control does not work

- Check that the batteries are loaded correctly or replace the batteries with new ones.
- Select the source (**DISC** or **TUNER**, for example) before pressing the function button.
- Reduce the distance between the remote control and the system.
- Point the remote control directly toward the IR sensor.

Need help?

User Manual

For more product information refer to the user manual of the home theatre system.

Online

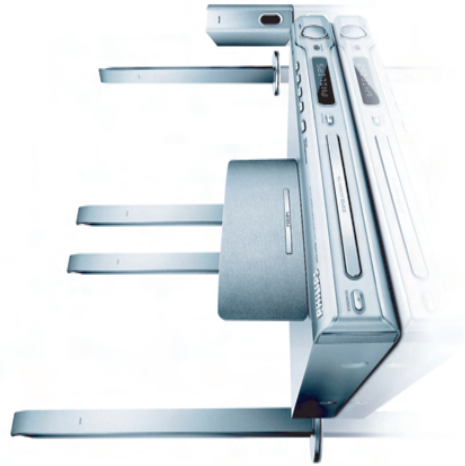
Go to www.philips.com/support

Be responsible
Respect copyrights

PHILIPS 2005 © Koninklijke Philips N.V.

All rights reserved.
I2 NC 31 39 246 19181
www.philips.com

Quick Start Guide



- 1 Connect
- 2 Setup
- 3 Enjoy

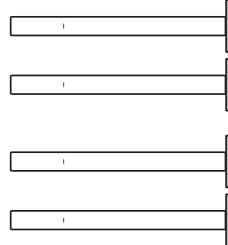
What's in the Box



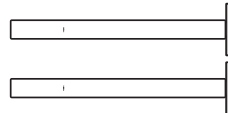
DVD system



Centre speaker



Rear speakers (left & right)



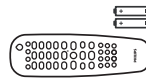
Front speakers (left & right)



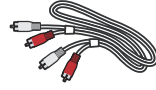
Subwoofer



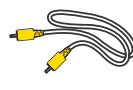
Quick start guide



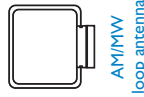
Remote control and 2 batteries



Audio cables (red & white plugs)



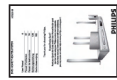
Video cables (yellow plug)



AM/MW loop antenna



FM wire antenna



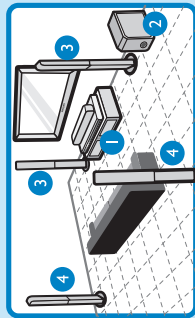
User manual

PHILIPS

1 Connect

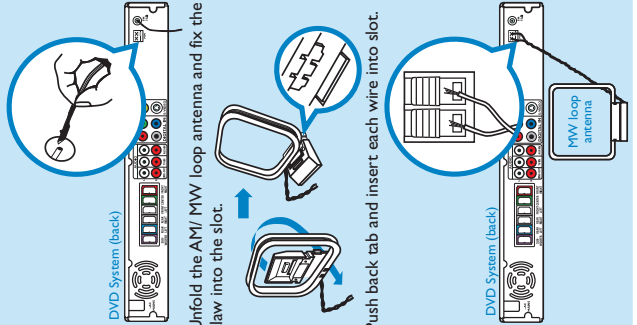
A Position Speakers & Subwoofer

- 1 Place centre speaker on or close to the TV.
- 2 Place subwoofer on the floor.
- 3 Place front speakers equal distance from the TV and angle them 45 degree to the listener.
- 4 Place rear speakers facing the listener; equal distance on the left and right.



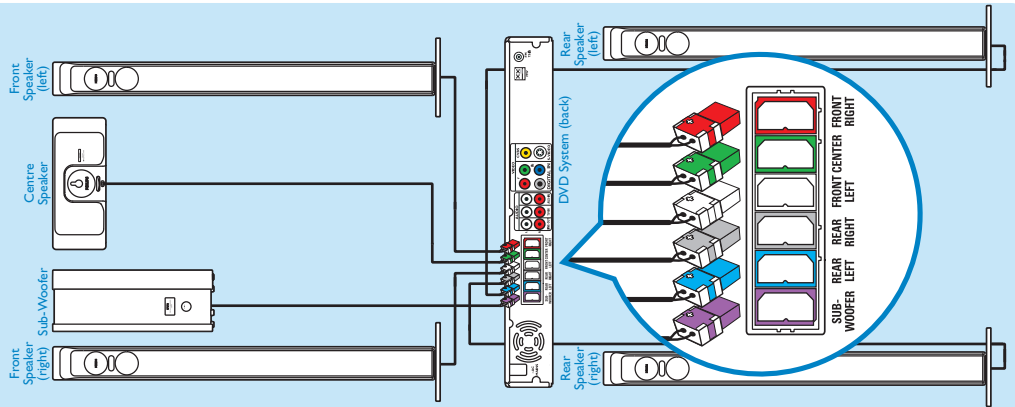
B Fix Antennas

- 1 Connect the FM antenna to the FM socket, extend the antenna and fix it on the wall.



C Connect Speakers & Subwoofer to DVD System

Connect the various coloured plugs from the speakers and subwoofer to the same colour socket on the rear of DVD system.

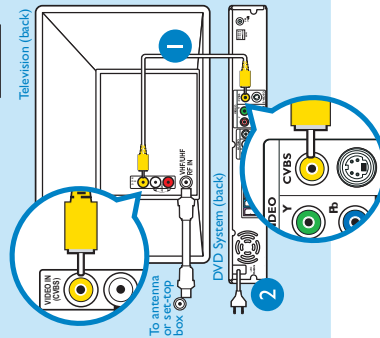


D Connect DVD system to TV

- 1 Use the yellow Video cable to connect the yellow CVBS socket on the rear of the DVD system and the yellow VIDEO IN jack at the rear of the TV.

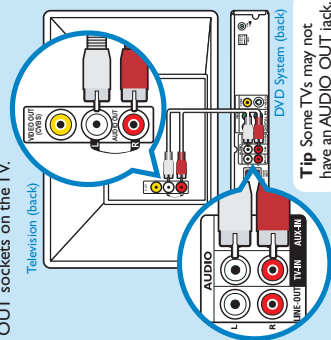
- 2 Plug in the power cable of the DVD system to an AC outlet.

Tip To connect other devices to the DVD system, refer to the use manual.



E Connect Audio from TV to DVD System (Optional)

Use the red & white audio cables to connect the red & white TV-IN sockets on the rear of the DVD system and the red & white AUDIO OUT sockets on the TV.

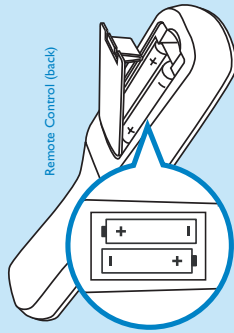


Tip Some TVs may not have an AUDIO OUT jack.

2 Setup

A Insert Batteries in Remote Control

- 1 Remove batteries compartment cover.
- 2 Insert the provided batteries in the remote control. Take note of where the positive and negative ends should go.
- 3 Replace the batteries compartment cover.



B Find Correct Viewing Channel

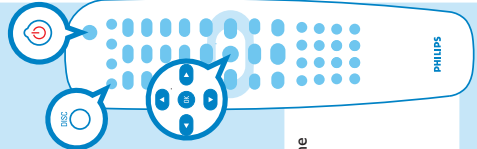
- 1 Press **STANDBY-ON** (power icon) on the DVD system's remote control.

- 2 Press **DISC** on the remote control until 'DISC' appears on the front panel.

- 3 Switch on the TV.

- 4 Press '0' on the TV's remote control, then repeatedly press the Channel Down button until you see the DVD background screen. This is the correct viewing channel for the home theatre system.

Tip For some TVs, to find the correct viewing channel, you can keep pressing the AV or the SELECT buttons. If still unable to find the correct viewing channel, check the connections again or check your TV's user manual.



4. Dismantling Instructions

4.1 Dismantling of the DVD Loader

- 1) The tray can be manually open by inserting a minus screw drive and push the lever in the direction as shown in Figure 4-1 to unlock the tray before sliding it out.



Figure 4-1

- 2) Slide out the tray and remove the Cover Tray (pos 110) as shown in Figure 4-2.

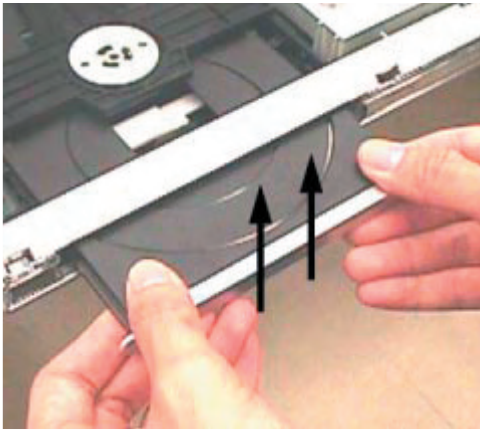


Figure 4-2

- 3) Loosen 5 screws to remove the Front Top. (pos 240)
 - 1 screw each on the left & right side (pos 272)
 - 3 screws behind
- 4) Loosen 4 screws C (see Figure 4-4) to remove the DVD Loader.

4.2 Dismantling of the Tuner Module, MONO Board, Front Board, PSU Module

- 1) Loosen 1 screw A (see Figure 4-3) to remove the Tuner Module (pos 1040).
- 2) Loosen 9 screws B (see Figure 4-3) and 4 screws (see Figure 3-4) to remove MONO Board.
- 3) Release 4 snap hooks to remove Front Board.
 - 1 snap hook each on the left & right side (pos 161).
 - 2 snap hooks on the bottom side (pos 161).
- 4) Loosen 4 screws E (see Figure 4-4) to remove the PSU Module.

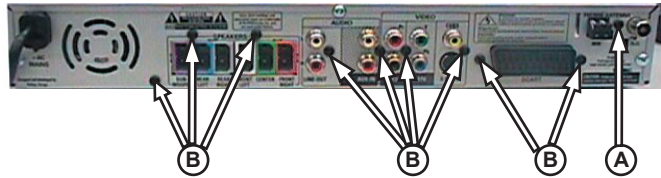


Figure 4-3

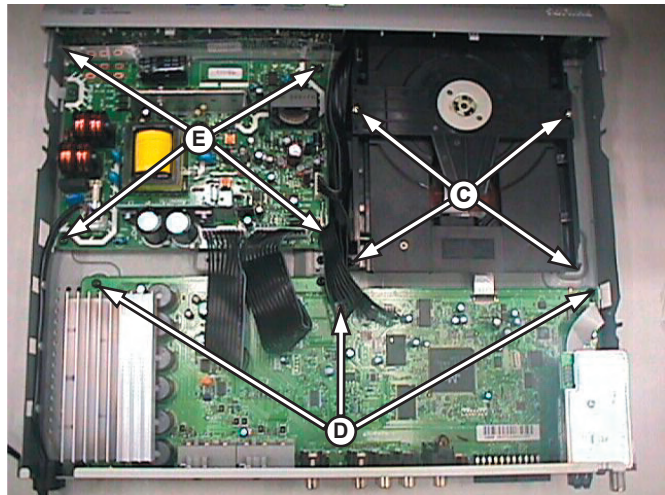
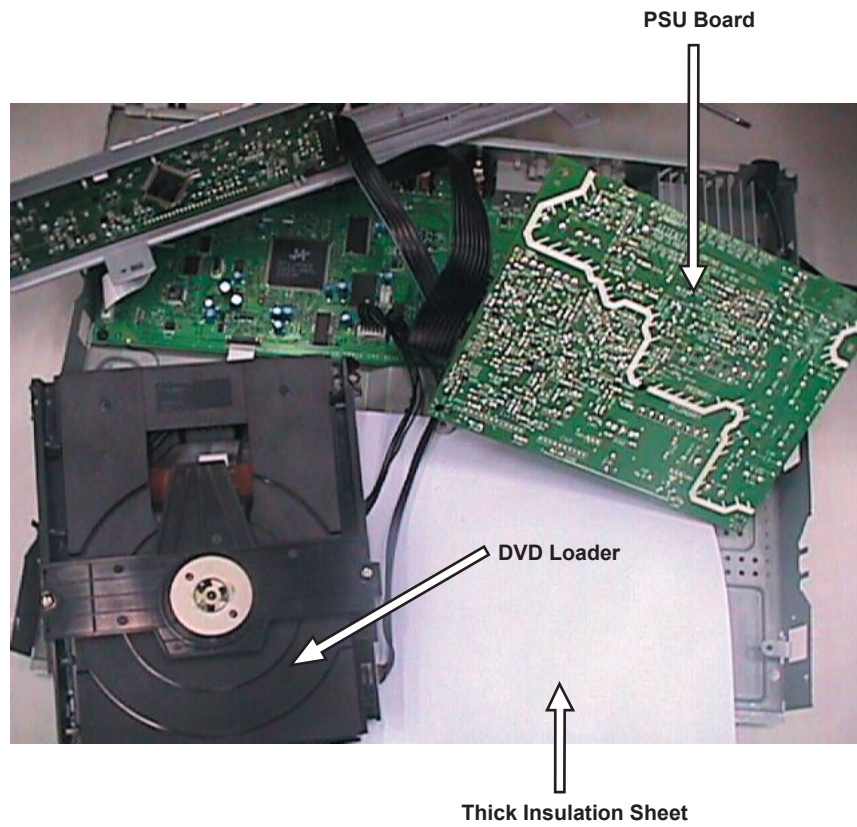
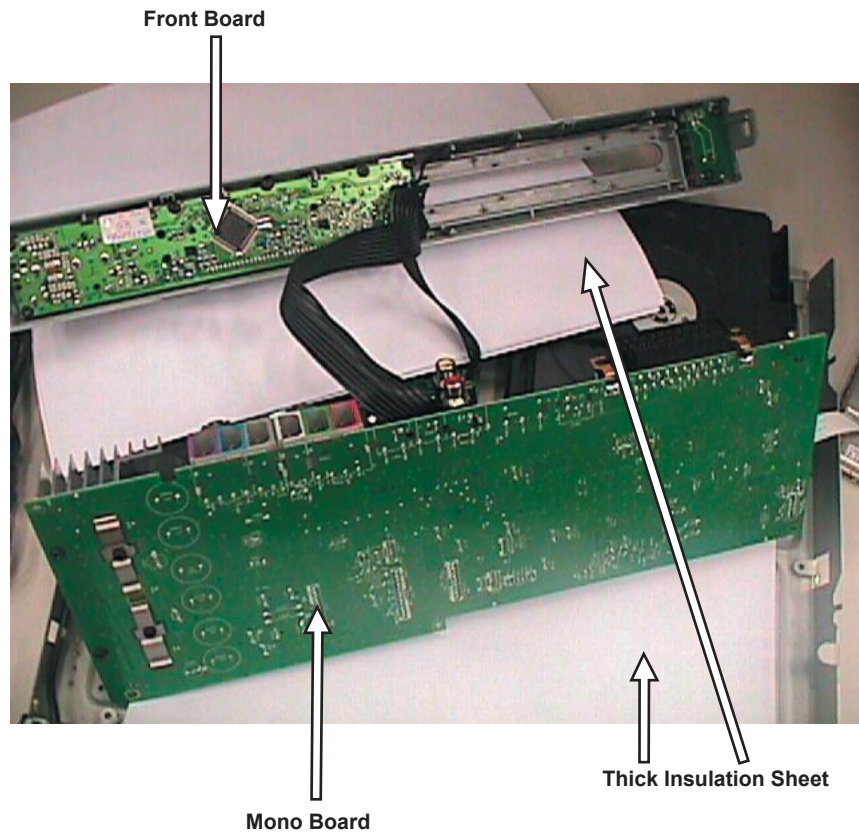
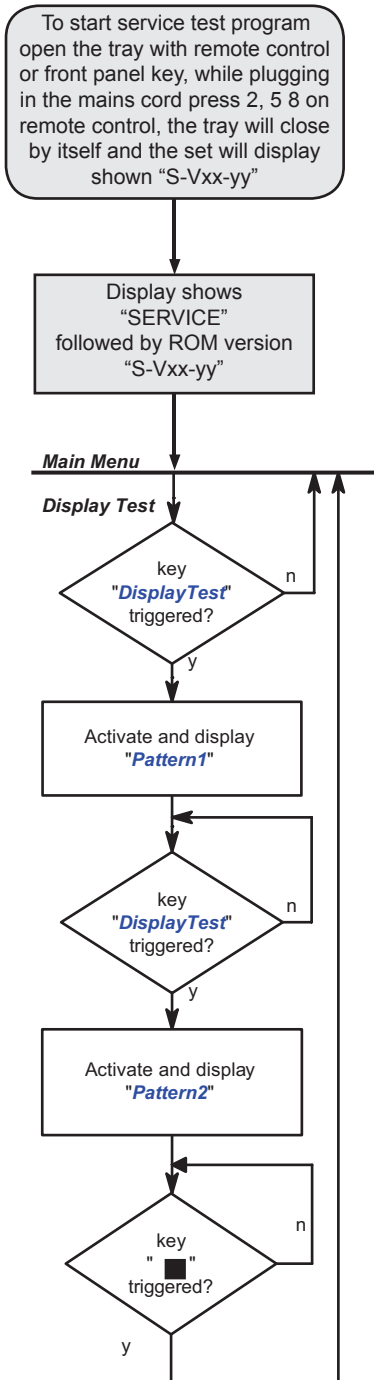


Figure 4-4

4.3 Service Positions



5. Service Test Program



S refers to Service Mode
 V refers to Version
 xx refers to Software version number of BEA (counting up from 01 to 99)
 yy refers to Software version number of Front uP (counting up from 01 to 99)

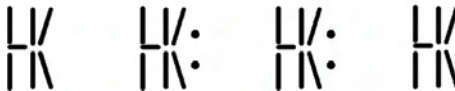
5.1 Display Test

Purpose:
 This test is used to check the driving circuits, the display and whether there are any short-circuits, open-circuits or any other defects.

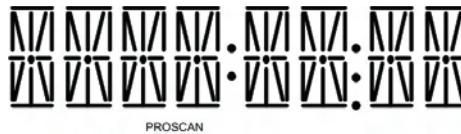
Player:
 Following display patterns are used to test the display and its connections to μP.
 Pattern 1: *Default: All display control pins are ON*
 - to check the open-circuits



Pattern 2: *Alternate display control pins are on (Test Pattern: 0x55)*
 - to check the short-circuits on Data port



Receiver:
 Following display patterns are used to test the display and its connections to μP.
 Pattern 1: *Default: All display control pins are ON*
 - to check the open-circuits



Pattern 2: *Alternate display control pins are on (Test Pattern: 0x55)*
 - to check the short-circuits on Data port



TEST	Activated with	ACTION
EEPROM FORMAT TEST	 to Exit	Load default data. Display shows "NEW". Caution! All presets from the customer will be lost!!
ROTARY ENCODER TEST	Volume Knob	Display shows value for 2 seconds. Volume values increases or decreases in steps of 1 until 0 (VOL MIN) or 40 (VOL MAX) is reached.
LEAVE SERVICE TEST PROGRAM	Disconnect mains cord	

5.1.1 Reprogramming of DVD version Matrix

After repair, the customer setting and region code may be lost. Reprogramming will put the set back in the state in which it has left the factory, ie. with the default setting and the allowed region code.

Model	Region	Region Code	TV Type
HTS 3300K	Russia	5	PAL
HTS 3500K	Russia	5	PAL
HTS 5310K	Russia	5	PAL
HTS 3610K	Russia	5	PAL

To reprogram do as follows:

- 1) Power up the set and select DISC source.
- 2) Open tray by press "OPEN/CLOSE" button on the set or press and hold "STOP" button on the RC.
- 3) Press the following buttons on the Remote Control:
 - <9> <9> <9> <9> <Zoom> <8> for HTS 3500K/51
 - <9> <9> <9> <9> <Zoom> <9> for HTS 3300K/51
 - <9> <9> <9> <9> <Repeat> <0> for HTS 5310K/51
 - <9> <9> <9> <9> <Repeat> <1> for HTS 3610K/51
- 4) The display shows 'YYYY-ZZ' and the tray will close.
 YYYY = model number (eg. 8300, 8500, etc.)
 ZZ = slash stroke version (eg. 01, 69, etc.)

5.1.2 Procedure for check Software version

- 1) Power up the set and select DISC source.
- 2) Open tray by press "OPEN/CLOSE" button on the set or press and hold "STOP" button on the RC.
- 3) Press "DISPLAY" button on the Remote control.
- 4) The TV screen will shows:

PPPP-Vxx YYYY-ZZ A BB
SERVO: GGGG GGGG REG:DD

PPPP = LX1S, LX1D or LX2W
 xx = version number
 YYYYYY = model # 3300K/3500K/3610K/5310K
 DD = region code
 GGGG GGGG = version for servo code.

5.1.3 Burning of firmware

1. Unzip the zip-archive attached with this service information.
2. Start the CD burning software and create a new CD Project (Data disc) with the following settings:
 - a. File System: ISO9660
 - b. Format: MODE 2/XA
 - c. Recording format: Single Session (Track at once), Finalized CD
3. Place the content of the zip-archive into the root directory of the new CD project.
4. Burn the data onto a blank CDR or CDRW.

Note: ISO9660 is mandatory, UDF discs are not supported!
The final CDROM must not contain any other data except the file from the zip-archive.

5.1.4 Procedure to upgrade the firmware

1. Power up the set and open tray.
2. Insert the prepared Upgrade CDROM and close the tray.
3. The set will display:

LOAD -> MULTICH ->..... ->UPG END.
The whole process takes less than 2 minutes.

Note: Do not press any button or interrupt the main supply upgrading process, Otherwise the set may become defective.

4. When the upgrade is completed, the tray will close automatic.
5. The tray will close and the set will go to Standby mode automatically when the upgrade process is completed.

5.1.5 Procedure to check the firmware version to confirm upgrading

1. Power up the set and open tray.
2. Press the <Menu Display> button on the Remote Control.
3. The firmware version will be displayed on the top left hand corner of the OSD.

5.1.6 Trade Mode

Trade mode is a feature that will block all set keys when enabled. It is for dealers to prevent customers from removing disc, changing source etc using the set keys. Rotary and Remote Control (RC) keys are still allowed in Trade mode.

To activate Trade Mode:

- 1) Power up the set and select DISC source.
- 2) Open tray by press "OPEN/CLOSE" button on the set or press and hold "STOP" button on the RC.
- 3) Then press buttons <2> <5> <9> on the RC.
- 4) The display shows 'TRA ON' and the tray will close. Trade Mode is now enabled.

To deactivate Trade Mode:

- 1) Power up the set and select DISC source.
- 2) Open tray by press and hold "STOP" button on the RC.
- 3) Then press buttons <2> <5> <9> on the RC.
- 4) The display shows 'TRA OFF' and the tray will close. Trade Mode is now disabled.

5.1.7 Procedure to change Tuner Grid (not for all versions)

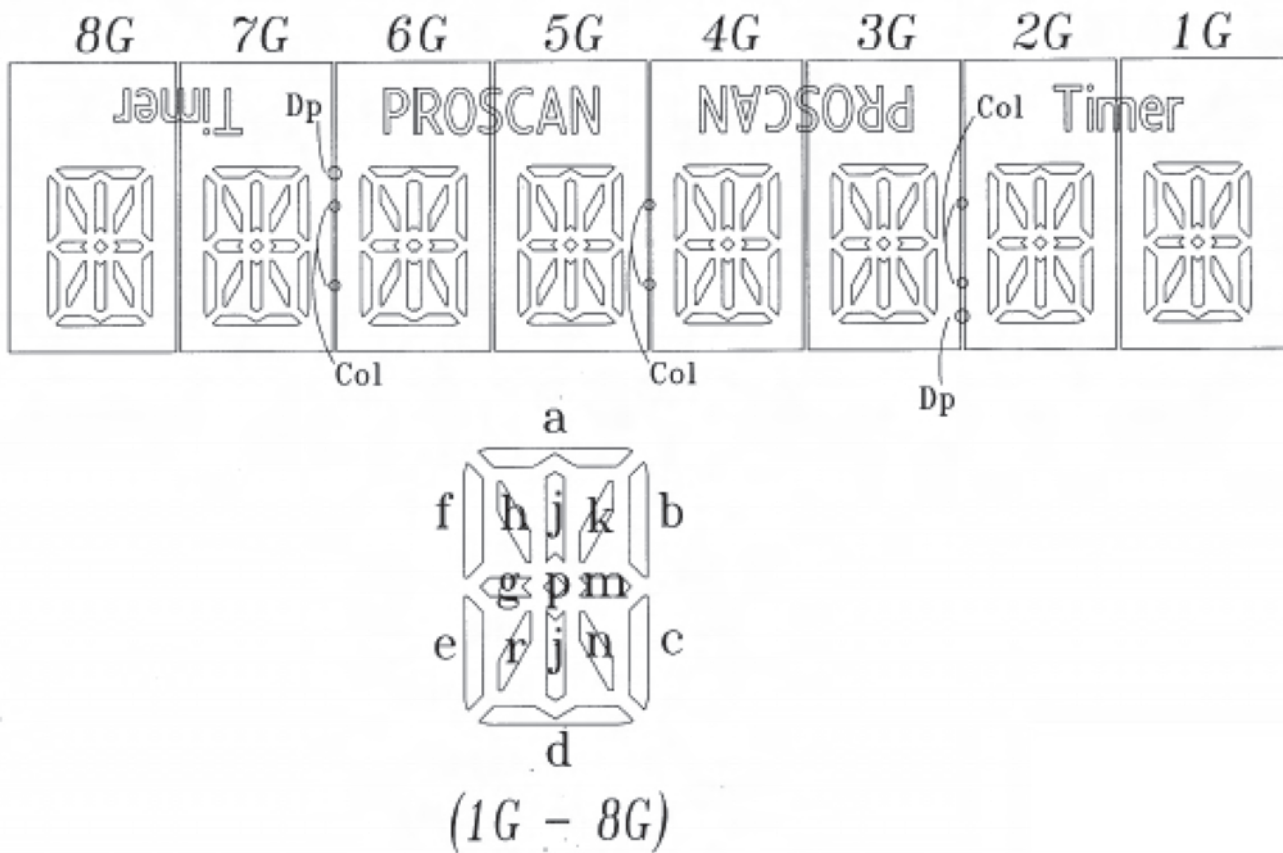
- 1 Press **SOURCE** to select "FM" or "MW".
- 2 Press **STANDBY ON** to switch the DVD system to standby mode.
- 3 Press **STANDBY ON** again to turn on the DVD system and hold down **◀◀** button on the front panel.
→ The display will show "GRID 9" or "GRID 10".

Helpful Hint:

– GRID 9 and GRID 10 indicate that the tuning grid is in step of 9 kHz and 10 kHz respectively.

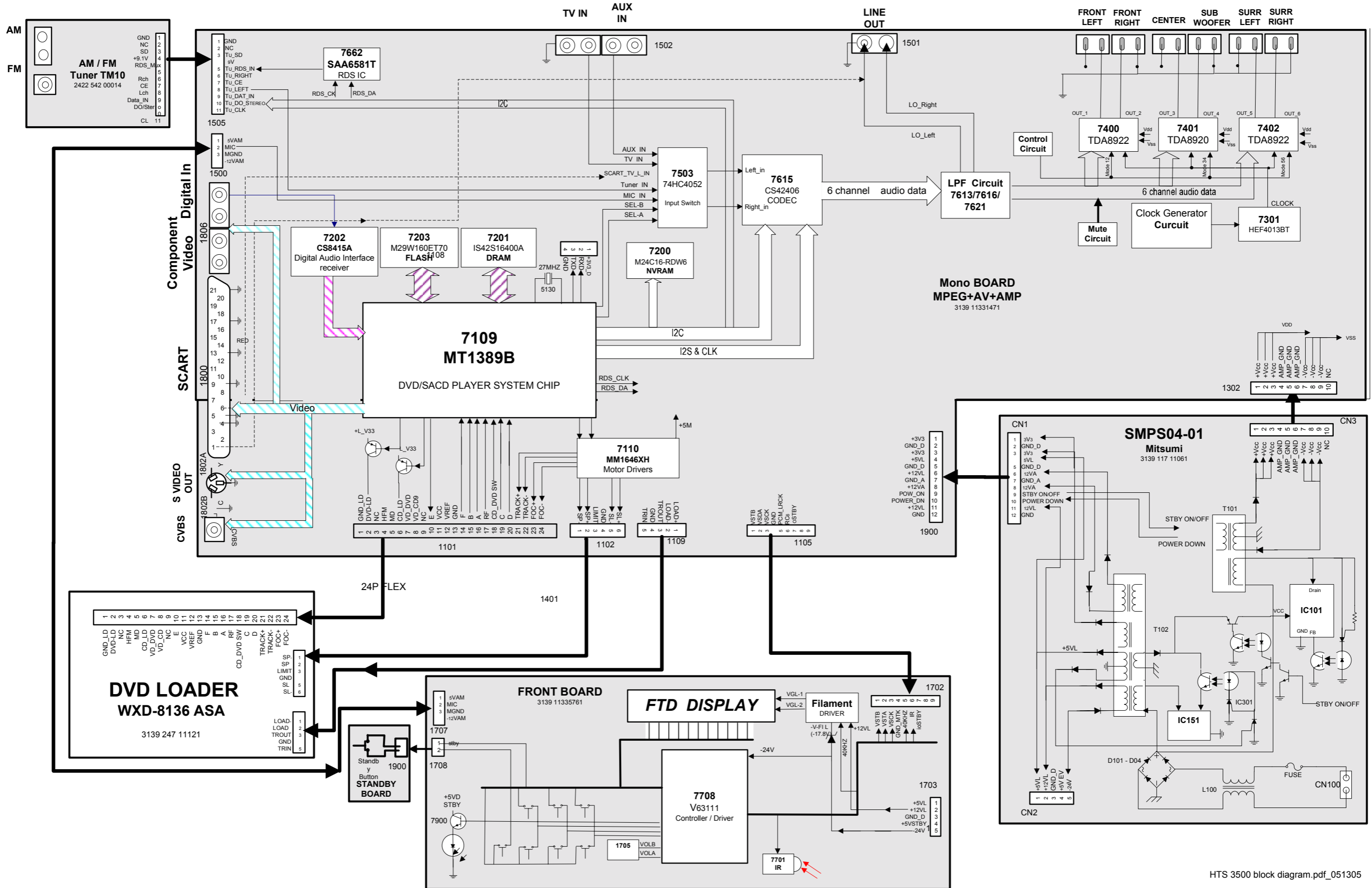
Note: Repeating the same action will toggle back to its previous tuning grid setting.

6. FTD Display Pin Connection

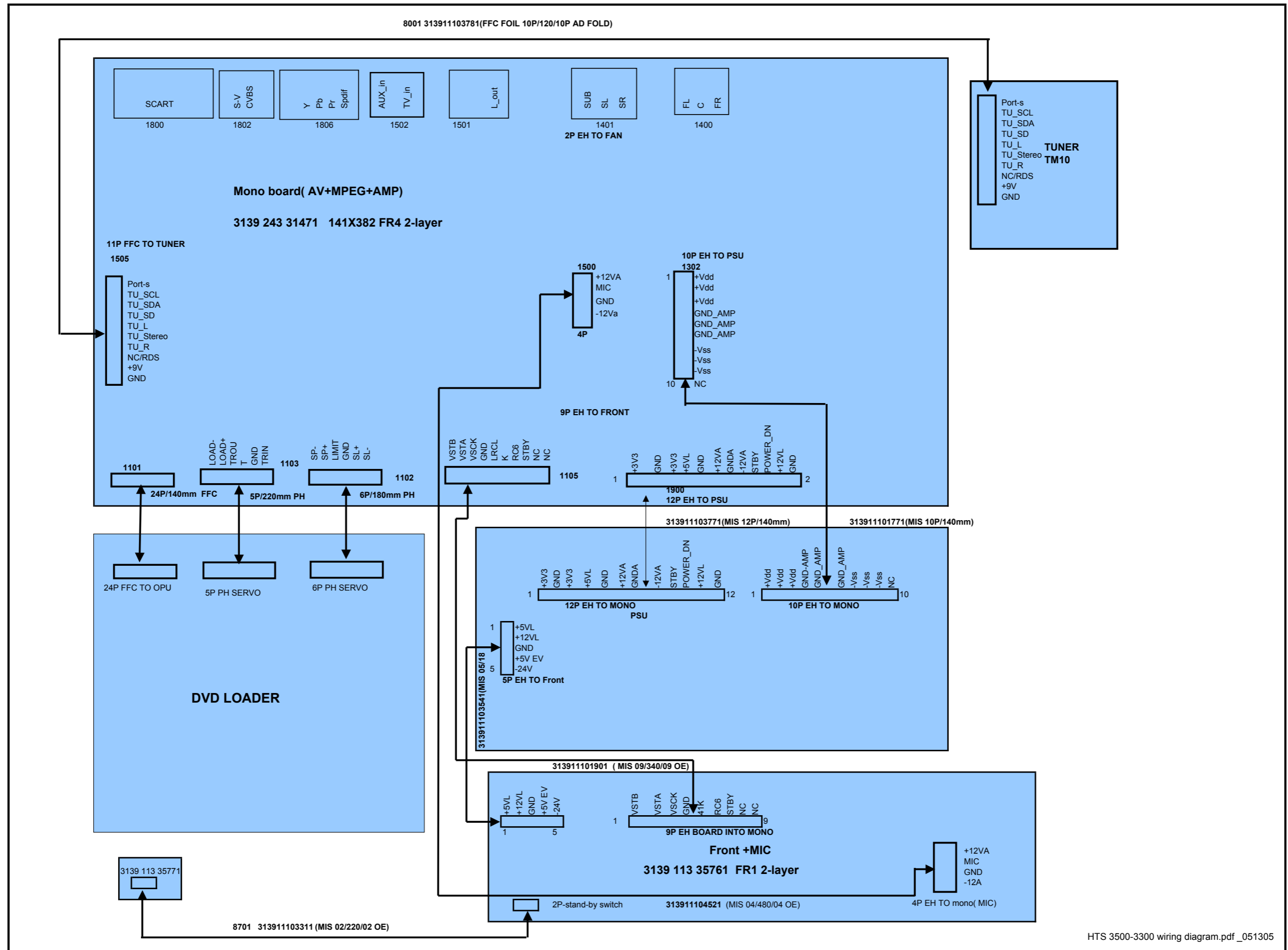


	8G	7G	6G	5G	4G	3G	2G	1G
P1	a	a	a	a	a	a	a	a
P2	j	j	j	j	j	j	j	j
P3	h	h	h	h	h	h	h	h
P4	k	k	k	k	k	k	k	k
P5	b	b	b	b	b	b	b	b
P6	f	f	f	f	f	f	f	f
P7	m	m	m	m	m	m	m	m
P8	g	g	g	g	g	g	g	g
P9	c	c	c	c	c	c	c	c
P10	e	e	e	e	e	e	e	e
P11	r	r	r	r	r	r	r	r
P12	n	n	n	n	n	n	n	n
P13	d	d	d	d	d	d	d	d
P14		col		col		col		
P15	p	p	p	p	p	p	p	p
P16	Timer		PROSCAN		PROSCAN		Timer	
P17		dp				dp		

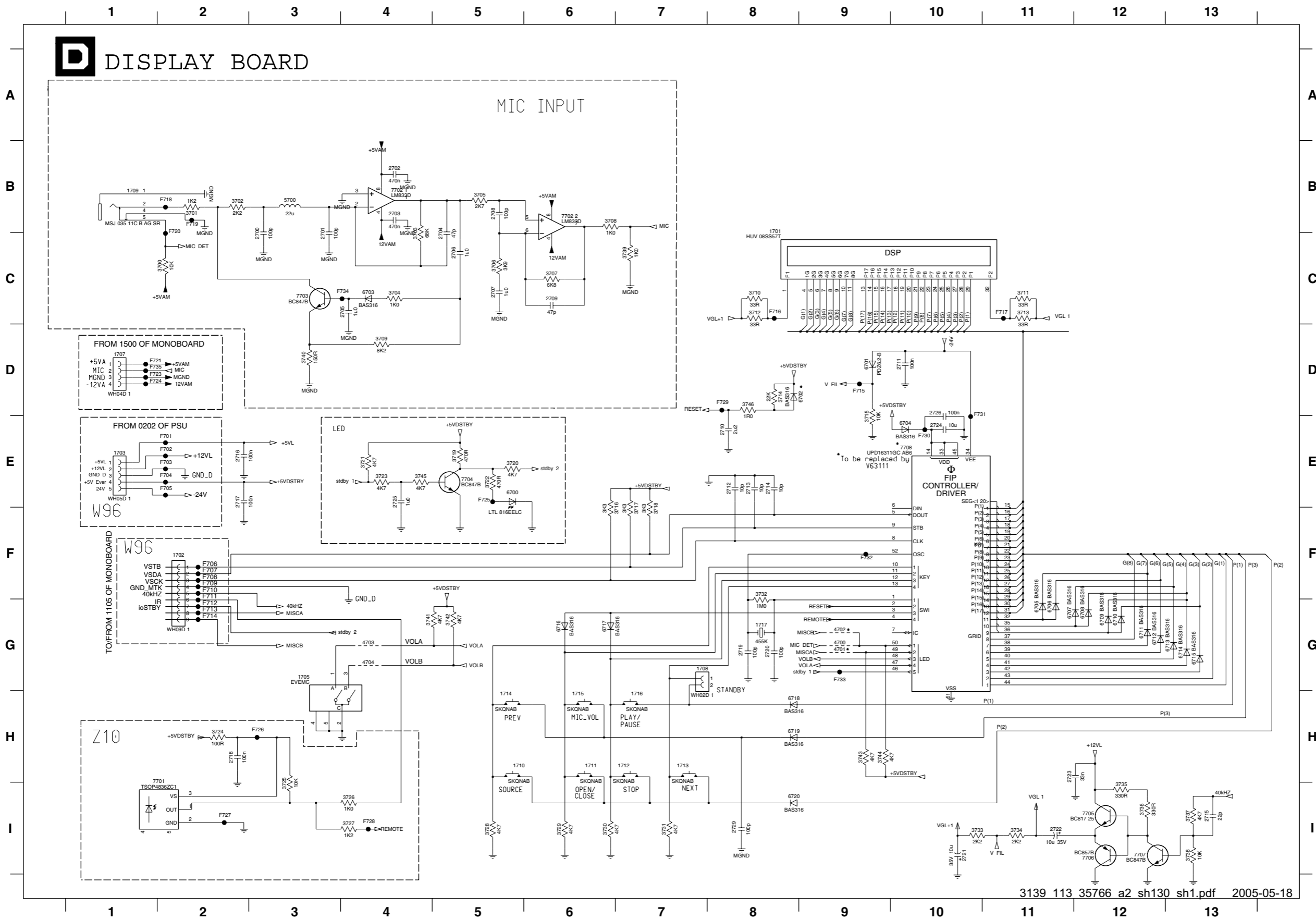
7. Block Diagram



Wiring Diagram



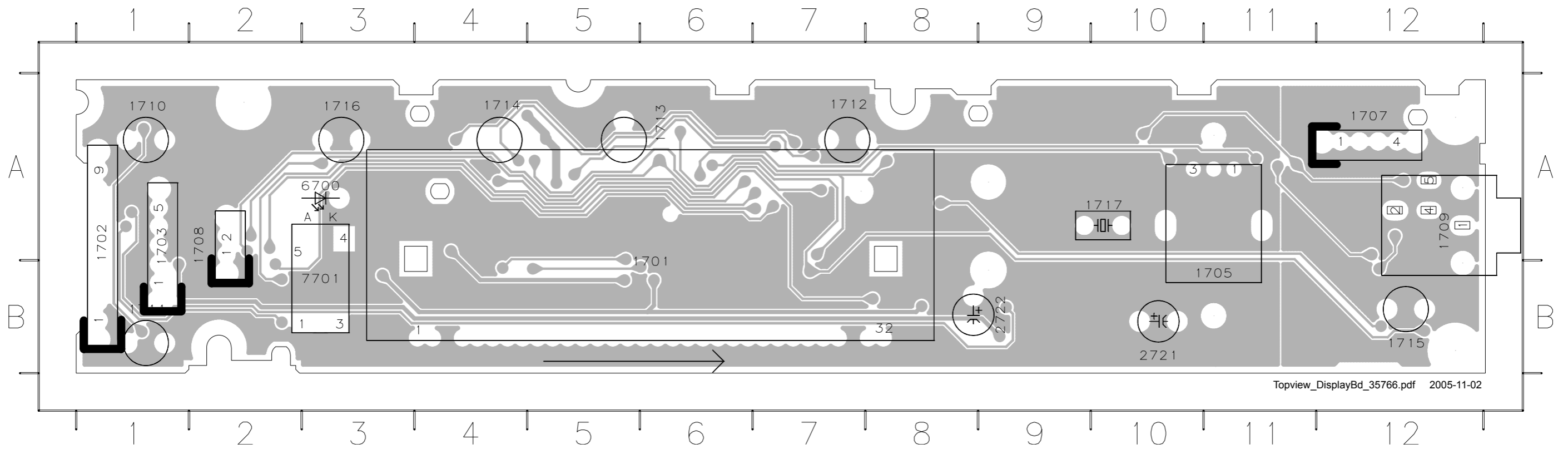
8. Front: Display



- 1701 C8
- 1702 F2
- 1703 E1
- 1705 G3
- 1707 D1
- 1708 G7
- 1709 B1
- 1710 H5
- 1711 H6
- 1712 H7
- 1713 H7
- 1714 H5
- 1715 H6
- 1716 H7
- 1717 G8
- 2700 C3
- 2701 C3
- 2702 B4
- 2703 B4
- 2704 C5
- 2705 C4
- 2706 C5
- 2707 C5
- 2708 B5
- 2709 C6
- 2710 E8
- 2711 D10
- 2712 E8
- 2713 E8
- 2714 E8
- 2715 I13
- 2716 E2
- 2717 E2
- 2718 H2
- 2719 G8
- 2720 G8
- 2721 H0
- 2722 I11
- 2723 H11
- 2724 E10
- 2725 E4
- 2726 D10
- 2729 I8
- 3700 C2
- 3701 B2
- 3702 B2
- 3703 C4
- 3704 C4
- 3705 B5
- 3706 C5
- 3707 C6
- 3708 B6
- 3709 D4
- 3710 C8
- 3711 C11
- 3712 C8
- 3713 C11
- 3714 D8
- 3715 E9
- 3716 F6
- 3717 F7
- 3719 E5
- 3720 E5
- 3721 E4
- 3722 E5
- 3723 E4
- 3724 H2
- 3725 I3
- 3726 I4
- 3727 I4
- 3728 I5
- 3729 I6
- 3730 I6
- 3731 I7
- 3732 F8
- 3733 I10
- 3734 I11
- 3735 I12
- 3736 I12
- 3737 I13
- 3738 I13
- 3739 C7
- 3740 D3
- 3741 G4
- 3742 G5
- 3743 H9
- 3744 H9
- 3745 E4
- 3746 D8
- 4700 G9
- 4701 G9
- 4702 G9
- 4703 G4
- 4704 G4
- 5700 B3
- 6700 E5
- 6701 D9
- 6702 D8
- 6703 C4
- 6704 E10
- 6705 G11
- 6706 G11
- 6707 G11
- 6708 G12
- 6709 G12
- 6710 G12
- 6711 G12
- 6712 G12
- 6713 G13
- 6714 G13
- 6715 G13
- 6716 G6
- 6717 G6
- 6718 H8
- 6719 H8
- 6720 I8
- 7701 I2
- 7702-1 B4
- 7703 C3
- 7704 E5
- 7705 I12
- 7706 I12
- 7707 I12
- 7708 E10
- 7709 E2
- 7710 E2
- 7711 E2
- 7712 E2
- 7713 E2
- 7714 C8
- 7715 C11
- 7716 B2
- 7717 C11
- 7718 B2
- 7719 B2
- 7720 C2
- 7721 D1
- 7722 D1
- 7723 D1
- 7724 D1
- 7725 H3
- 7726 H3
- 7727 I2
- 7728 I4
- 7729 D8
- 7730 E10
- 7731 E10
- 7732 F9
- 7733 G9
- 7734 C4
- 7735 D1

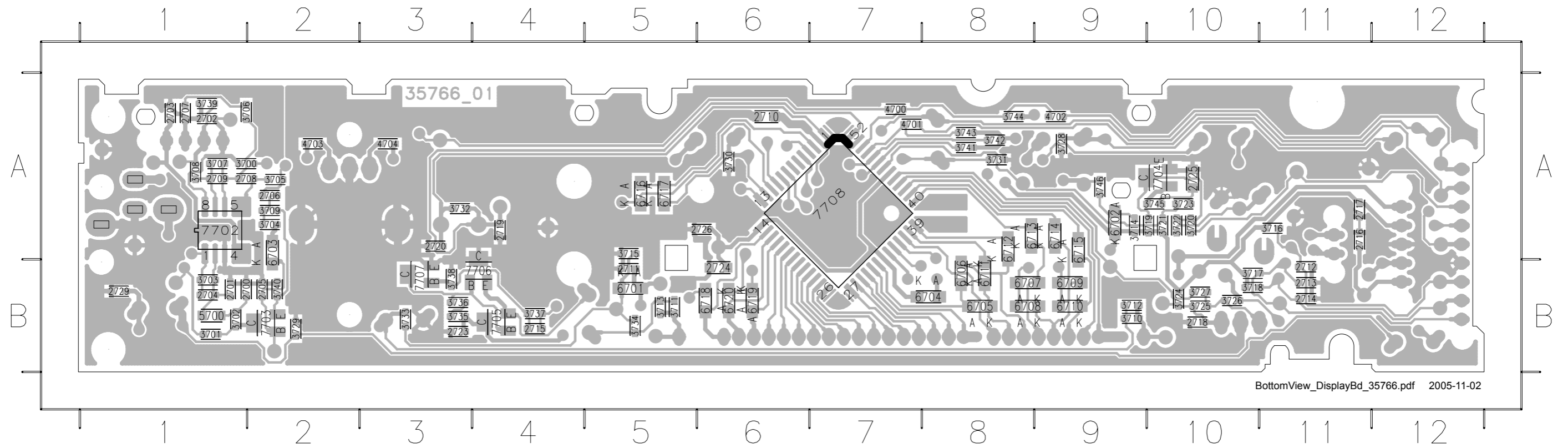
Front: Display (topview)

1701 B6 1703 A1 1707 A12 1709 A12 1711 B1 1713 A6 1715 B12 1717 A10 2722 B9 7701 B3
 1702 A1 1705 B11 1708 A2 1710 A1 1712 A7 1714 A4 1716 A3 2721 B10 6700 A3

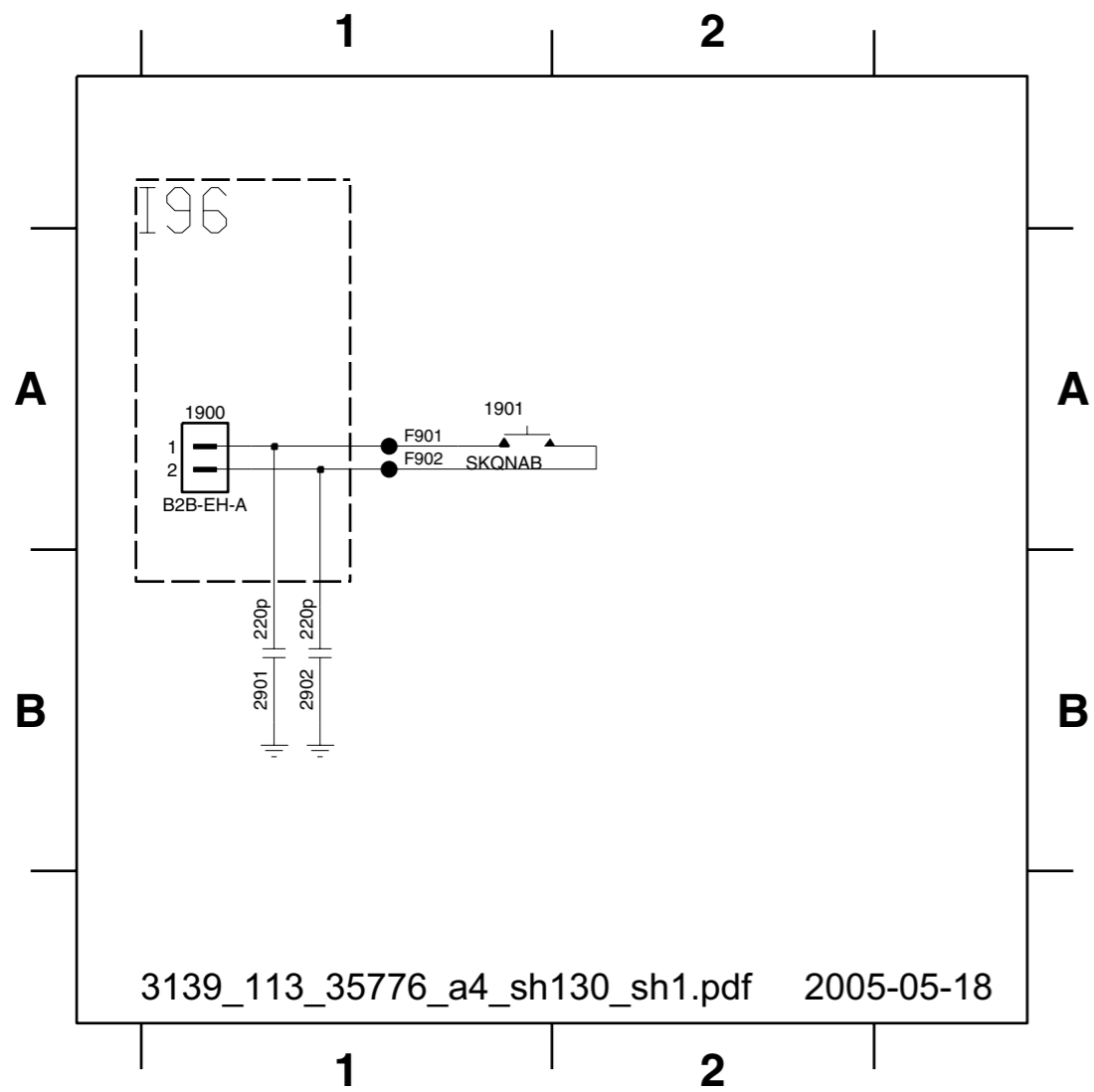


Front: Display (Bottom view)

2700	B1	2709	A1	2718	B10	3701	B1	3710	B9	3719	A10	3728	A9	3737	B4	3746	A9	6703	A2	6712	A8	7702	A1
2701	B1	2710	A6	2719	A4	3702	B1	3711	B9	3720	A10	3729	B9	3738	B3	4700	A7	6704	B8	6713	A8	7703	B2
2702	A1	2711	B5	2720	A3	3703	B1	3712	B9	3721	A10	3730	A6	3739	A1	4701	A7	6705	B8	6714	A9	7704	A10
2703	A1	2712	B11	2723	B3	3704	A2	3713	B9	3722	A10	3731	A8	3740	B2	4702	A9	6706	B8	6715	A9	7705	B4
2704	B1	2713	B11	2724	B6	3705	A2	3714	A9	3723	A10	3732	A3	3741	A8	4703	A2	6707	B8	6716	A5	7706	B4
2705	B2	2714	B11	2725	A10	3706	A1	3715	A5	3724	B10	3733	B3	3742	A8	4704	A3	6708	B8	6717	A5	7707	B3
2706	A2	2715	B4	2726	A6	3707	A1	3716	A11	3725	B10	3734	B3	3743	A8	5700	B1	6709	B8	6718	B6	7708	A7
2707	A1	2716	A11	2729	B1	3708	A1	3717	B10	3726	B10	3735	B3	3744	A8	6701	B5	6710	B8	6719	B6		
2708	A1	2717	A11	3700	A1	3709	A2	3718	B10	3727	B10	3736	B3	3745	A10	6702	A9	6711	B8	6720	B6		

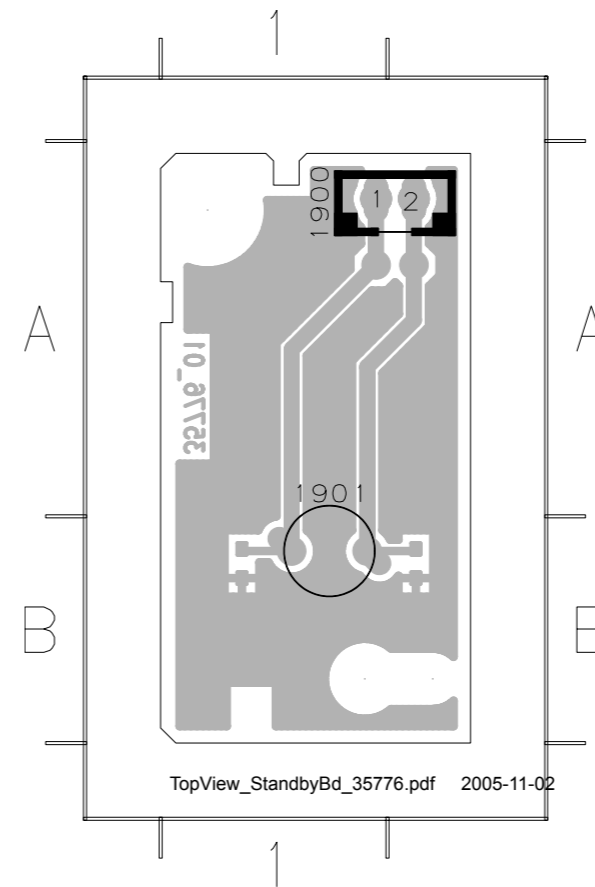


Front: Standby



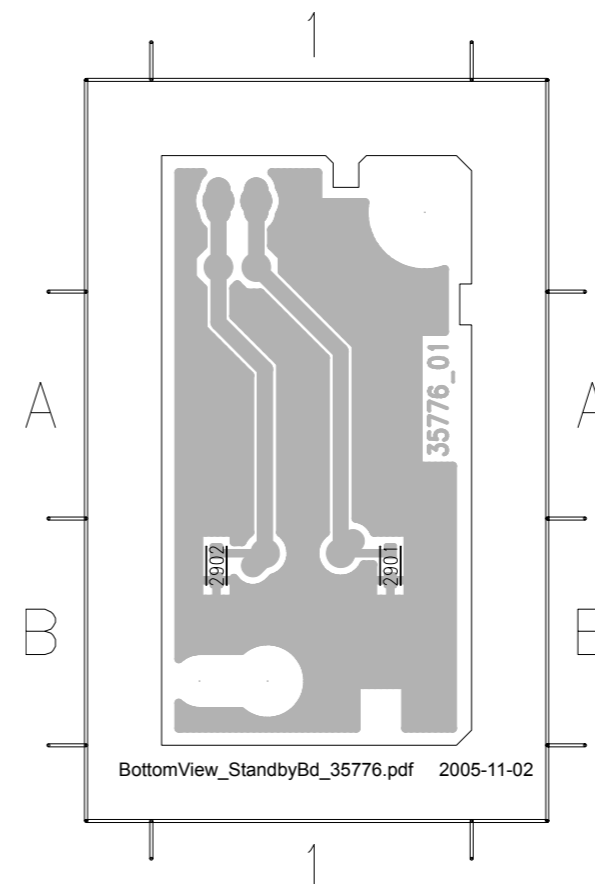
1900 A1
1901 A1
2901 B1
2902 B1
F901 A1
F902 A1

Front: Standby (topview)



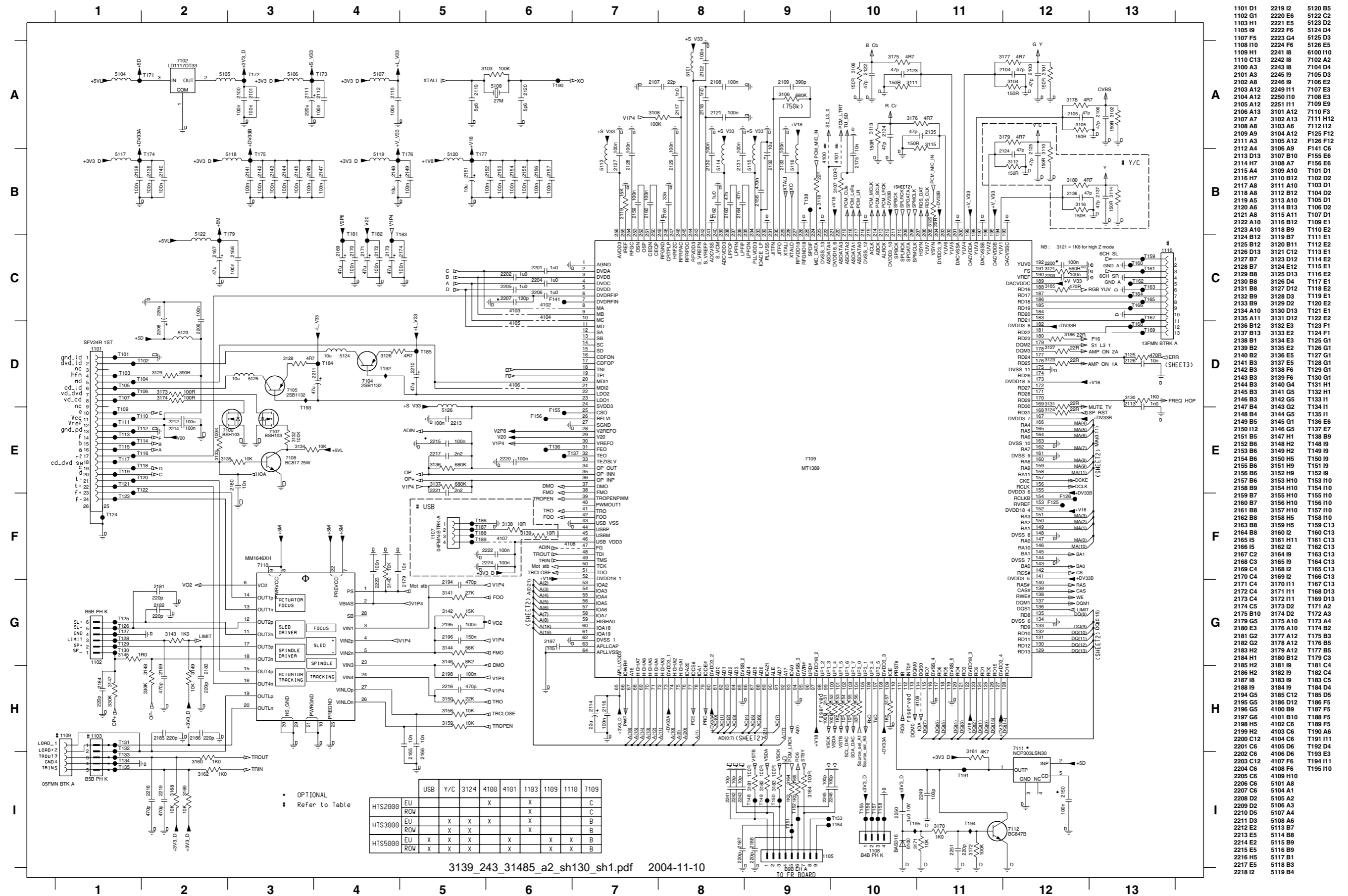
1900 A1
1901 A1

Front: Standby (Bottom view)

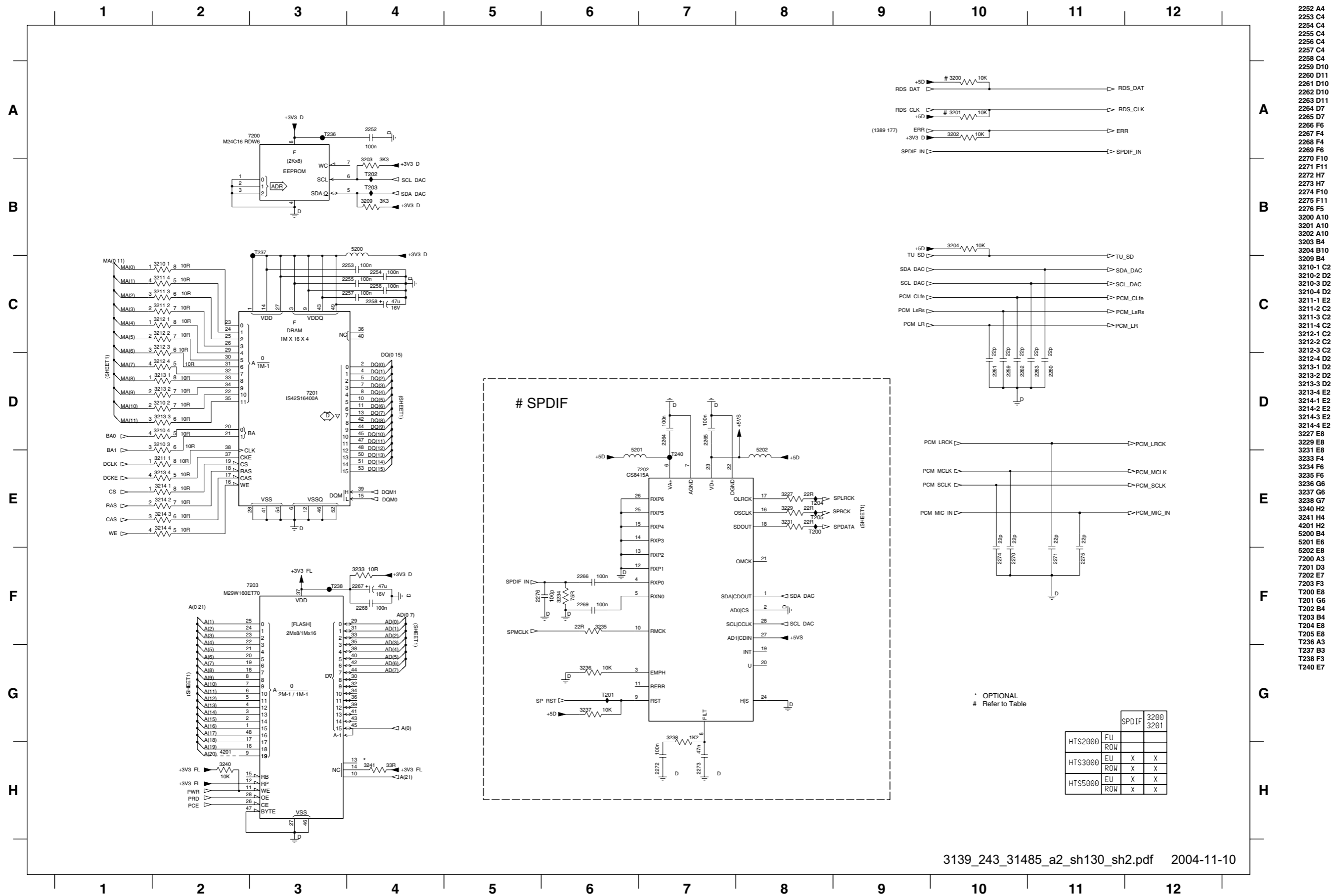


2901 B1
2902 B1

Mono Board: Circuit Diagram (Part 1)

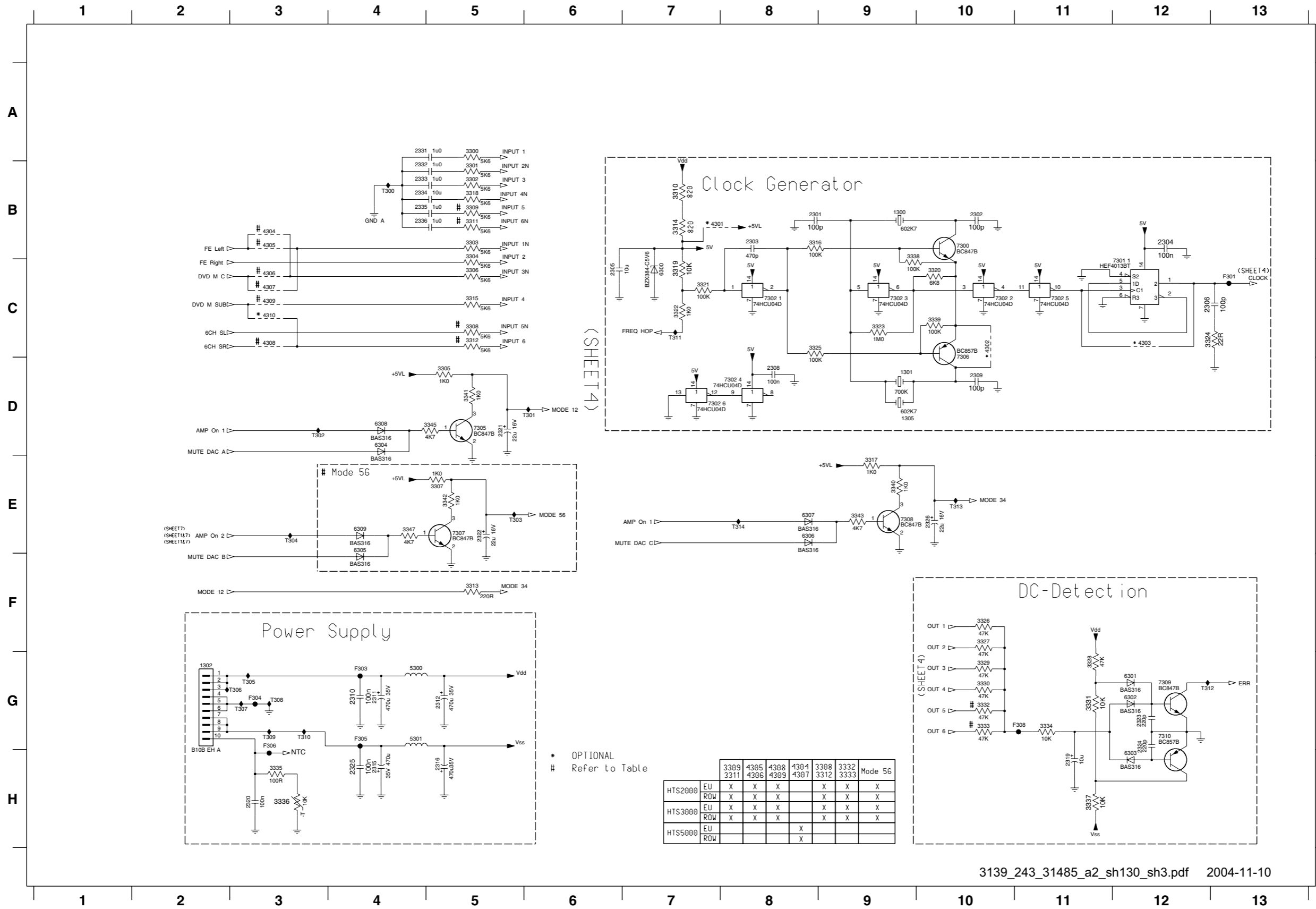


Mono Board: Circuit Diagram (Part 2)



- 2252 A4
- 2253 C4
- 2254 C4
- 2255 C4
- 2256 C4
- 2257 C4
- 2258 C4
- 2259 D10
- 2260 D11
- 2261 D10
- 2262 D10
- 2263 D11
- 2264 D7
- 2265 D7
- 2266 F6
- 2267 F4
- 2268 F4
- 2269 F6
- 2270 F10
- 2271 F11
- 2272 H7
- 2273 H7
- 2274 F10
- 2275 F11
- 2276 F5
- 3200 A10
- 3201 A10
- 3202 A10
- 3203 B4
- 3204 B10
- 3209 B4
- 3210-1 C2
- 3210-2 D2
- 3210-3 D2
- 3210-4 D2
- 3211-1 E2
- 3211-2 C2
- 3211-3 C2
- 3211-4 C2
- 3212-1 C2
- 3212-2 C2
- 3212-3 C2
- 3212-4 D2
- 3213-1 D2
- 3213-2 D2
- 3213-3 D2
- 3213-4 E2
- 3214-1 E2
- 3214-2 E2
- 3214-3 E2
- 3214-4 E2
- 3227 E8
- 3229 E8
- 3231 E8
- 3233 F4
- 3234 F6
- 3235 F6
- 3236 G6
- 3237 G6
- 3238 G7
- 3240 H2
- 3241 H4
- 4201 H2
- 5200 B4
- 5201 E6
- 5202 E8
- 7200 A3
- 7201 D3
- 7202 E7
- 7203 F3
- T200 E8
- T201 G6
- T202 B4
- T203 B4
- T204 E8
- T205 E8
- T236 A3
- T237 B3
- T238 F3
- T240 E7

Mono Board: Circuit Diagram (Part 3)



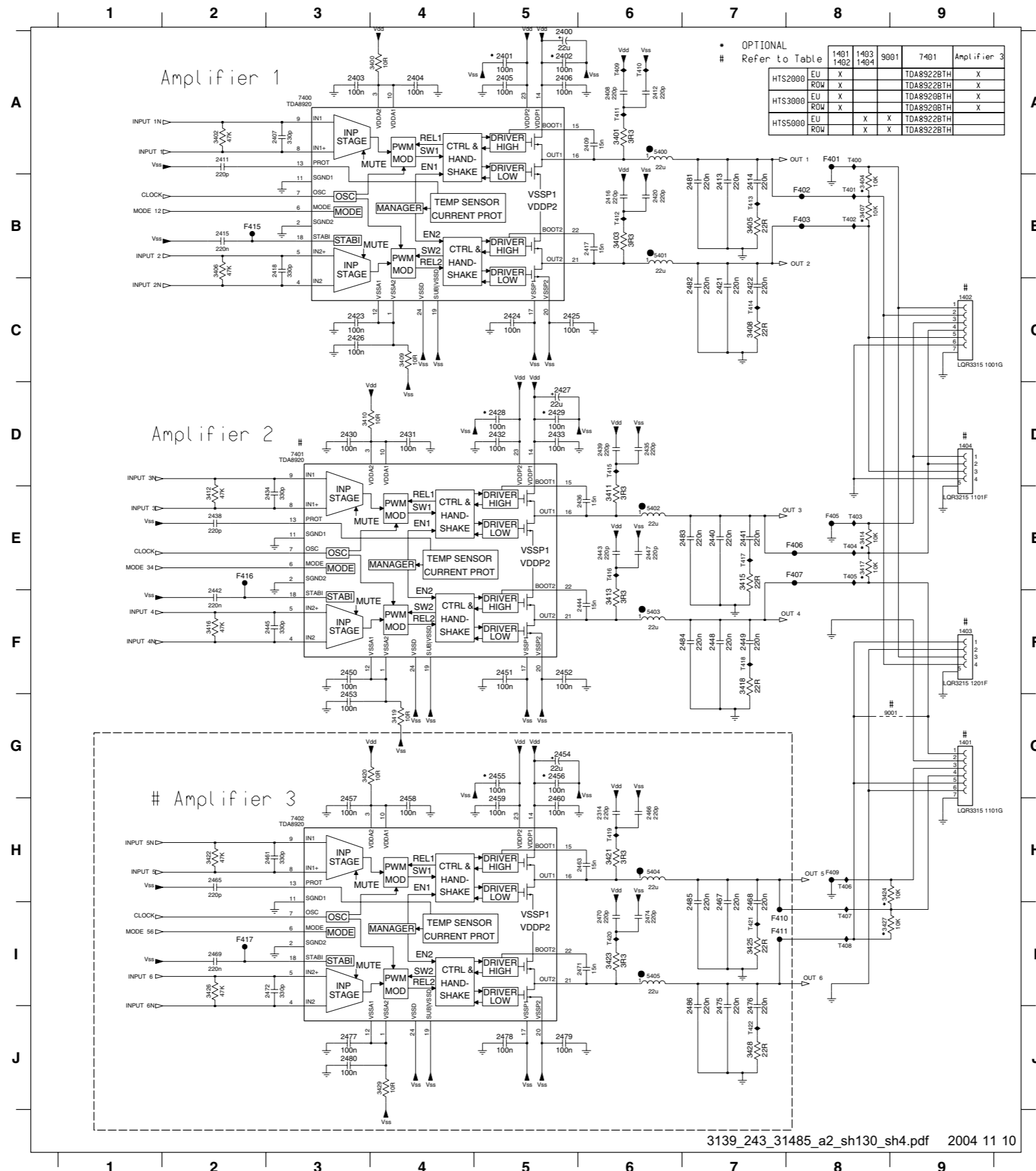
(SHEET 4)

* OPTIONAL
Refer to Table

		3309 3311	4305 4306	4308 4309	4304 4307	3308 3312	3332 3333	Mode 56
HTS2000	EU	X	X	X		X	X	X
	ROW	X	X	X		X	X	X
HTS3000	EU	X	X	X		X	X	X
	ROW	X	X	X		X	X	X
HTS5000	EU				X			
	ROW				X			

- 1300 B9
- 1301 D9
- 1302 G2
- 1305 D9
- 2301 B8
- 2302 B10
- 2303 B8
- 2304 B12
- 2305 C6
- 2306 C12
- 2308 D8
- 2309 D10
- 2310 G4
- 2311 G4
- 2312 G5
- 2315 H4
- 2316 H5
- 2319 H11
- 2320 H3
- 2321 D5
- 2322 E5
- 2323 G12
- 2324 G12
- 2325 H4
- 2326 E10
- 2331 A4
- 2332 B4
- 2333 B4
- 2334 B4
- 2335 B4
- 2336 B4
- 3300 A5
- 3301 B5
- 3302 B5
- 3303 B5
- 3304 B5
- 3305 D5
- 3306 C5
- 3307 E5
- 3308 C5
- 3309 B5
- 3310 B7
- 3311 B5
- 3312 C5
- 3313 F5
- 3314 B7
- 3315 C5
- 3316 B8
- 3317 E9
- 3318 B5
- 3319 C7
- 3320 C10
- 3321 C7
- 3322 C7
- 3323 C9
- 3324 C12
- 3325 C8
- 3326 F10
- 3327 F10
- 3328 G11
- 3329 G10
- 3330 G10
- 3331 G11
- 3332 G10
- 3333 G10
- 3334 G11
- 3335 H3
- 3336 H3
- 3337 H11
- 3338 B9
- 3339 C10
- 3340 E9
- 3341 D5
- 3342 E5
- 3343 E9
- 3345 D5
- 3347 E4
- 4301 B7
- 4302 C10
- 4303 C12
- 4304 B3
- 4305 B3
- 4306 C3
- 4307 C3
- 4308 C3
- 4309 C3
- 4310 C3
- 5000 G4
- 5301 G4
- 6300 C7
- 6301 G12
- 6302 G12
- 6303 H12
- 6304 D4
- 6305 E4
- 6306 E8
- 6307 E8
- 6308 D4
- 6309 E4
- 7300 B10
- 7301-1 C12
- 7302-1 C8
- 7302-2 C10
- 7302-3 C9
- 7302-4 D8
- 7302-5 C11
- 7302-6 D8
- 7305 D5
- 7306 C10
- 7307 E5
- 7308 E9
- 7309 G12
- 7310 G12
- F301 C13
- F303 G4
- F304 G3
- F305 G4
- F306 G3
- F308 G11
- T300 B4
- T301 D6
- T302 D3
- T303 E5
- T304 E3
- T305 G3
- T306 G3
- T307 G3
- T308 G3
- T309 G3
- T310 G3
- T311 C7
- T312 G12
- T313 E10
- T314 E8

Mono Board: Circuit Diagram (Part 4)

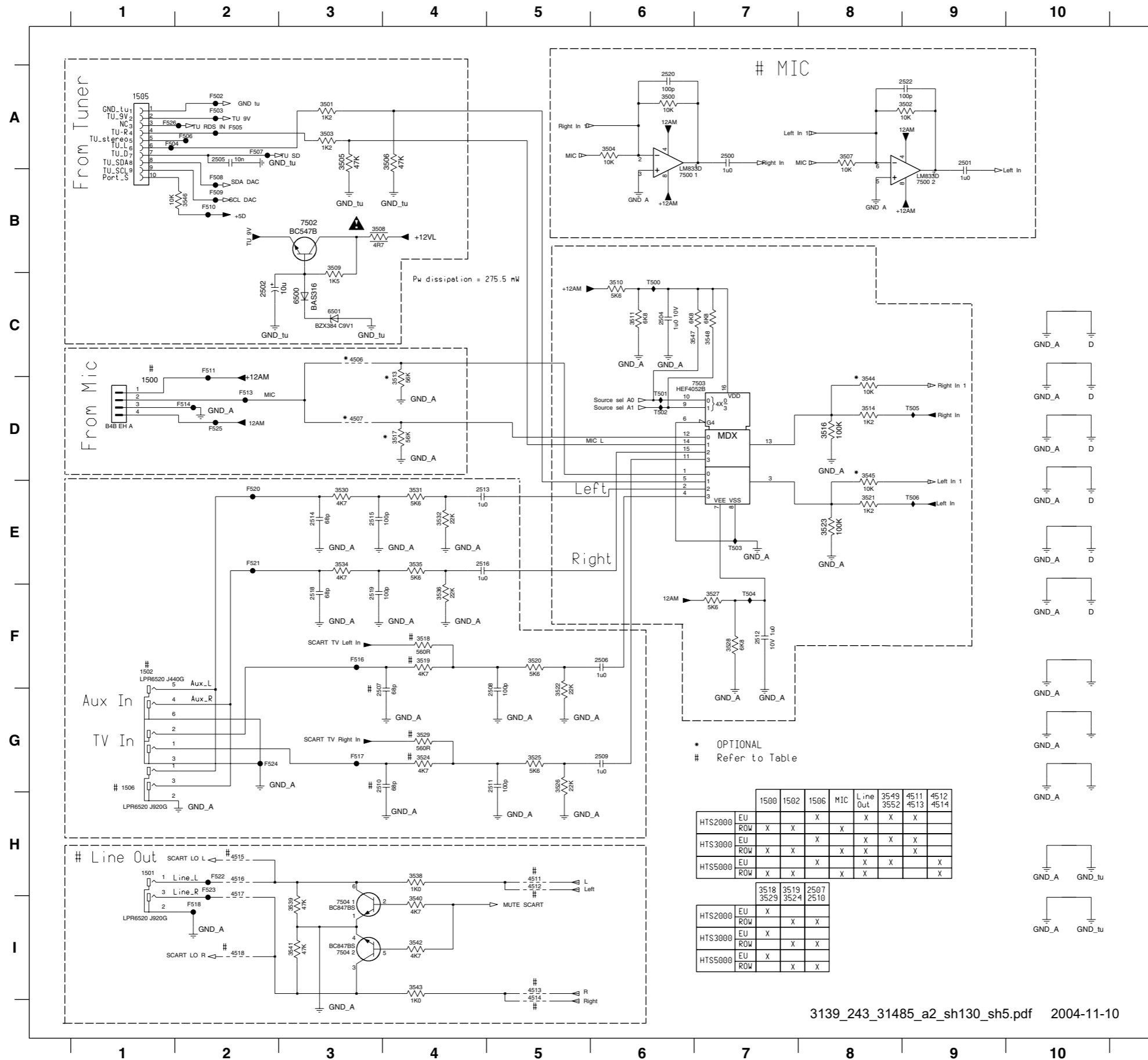


* OPTIONAL
Refer to Table

	1401	1402	1403	1404	9001	7401	Amplifier 3
HTS2000	EU	X				TD8922BTH	X
	ROW	X				TD8922BTH	X
HTS3000	EU	X				TD8922BTH	X
	ROW	X				TD8922BTH	X
HTS5000	EU		X	X	X	TD8922BTH	
	ROW		X	X	X	TD8922BTH	

- 1401 G9
- 1402 C9
- 1403 F9
- 1404 D9
- 2314 H6
- 2400 A5
- 2401 A5
- 2402 A5
- 2403 A3
- 2404 A4
- 2405 A5
- 2406 A5
- 2407 A3
- 2408 A6
- 2409 A6
- 2411 A2
- 2412 A6
- 2413 B7
- 2414 B7
- 2415 B2
- 2416 B6
- 2417 B6
- 2418 B3
- 2420 B6
- 2421 C7
- 2422 C7
- 2423 C3
- 2424 C5
- 2425 C5
- 2426 C3
- 2427 D5
- 2428 D5
- 2429 D5
- 2430 D3
- 2431 D4
- 2432 D5
- 2433 D5
- 2434 E3
- 2435 D6
- 2436 E6
- 2438 E2
- 2439 D6
- 2440 E7
- 2441 E7
- 2442 F2
- 2443 E6
- 2444 F6
- 2445 F3
- 2446 E6
- 2448 F7
- 2449 F7
- 2450 F3
- 2451 F5
- 2452 F5
- 2453 G3
- 2454 G5
- 2455 G5
- 2456 G5
- 2457 H3
- 2458 H4
- 2459 H5
- 2460 H5
- 2461 H3
- 2463 H6
- 2465 H2
- 2466 H6
- 2467 I7
- 2468 I7
- 2469 I2
- 2470 I6
- 2471 I6
- 2472 I3
- 2474 I6
- 2475 I7
- 2476 I7
- 2477 J3
- 2478 J5
- 2479 J5
- 2480 J3
- 2481 B7
- 2482 C7
- 2483 E7
- 2484 F7
- 2485 I7
- 2486 I7
- 3400 A4
- 3401 A6
- 3402 A2
- 3403 B6
- 3404 B8
- 3405 B7
- 3406 B2
- 3407 B8
- 3408 C7
- 3409 C4
- 3410 D3
- 3411 E6
- 3412 E2
- 3413 F6
- 3414 E8
- 3415 E7
- 3416 F2
- 3417 E8
- 3418 F7
- 3419 G4
- 3420 G3
- 3421 H6
- 3422 H2
- 3423 I6
- 3424 H8
- 3425 I7
- 3426 I2
- 3427 I8
- 3428 J7
- 3429 J4
- 5400 A6
- 5401 B6
- 5402 B6
- 5403 F6
- 5404 H6
- 5405 I6
- 7400 A3
- 7401 D3
- 7402 H3
- 9001 G9
- F401 A8
- F402 B8
- F403 B8

Mono Board: Circuit Diagram (Part 5)



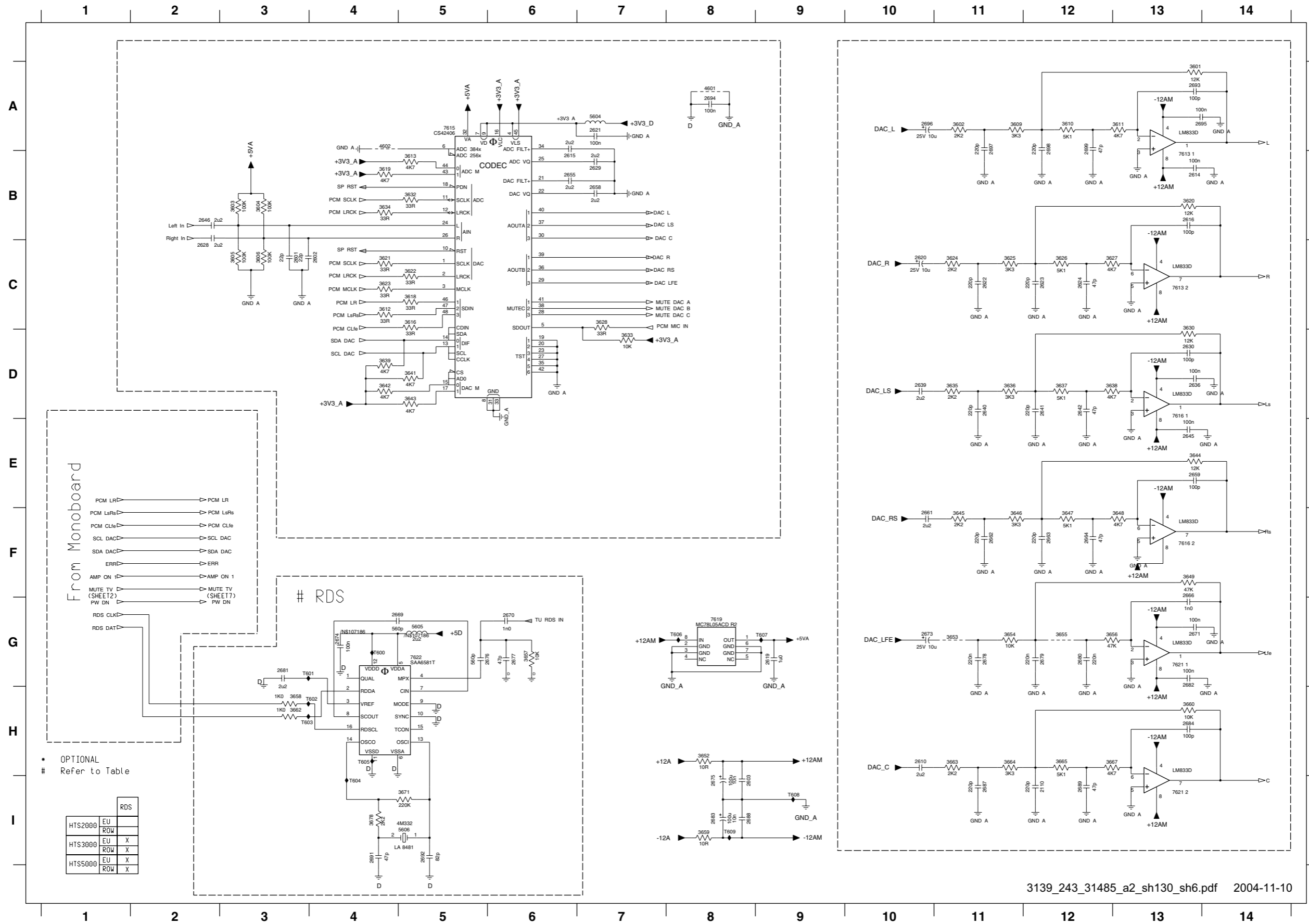
* OPTIONAL
Refer to Table

	1500	1502	1506	MIC	Line Out	3549 3552	4511 4513	4512 4514
HTS2000	EU	X	X	X	X	X	X	
HTS3000	EU	X	X	X	X	X	X	
HTS5000	EU	X	X	X	X	X	X	X

	3518 3529	3519 3524	2507 2510
HTS2000	EU	X	X
HTS3000	EU	X	X
HTS5000	EU	X	X

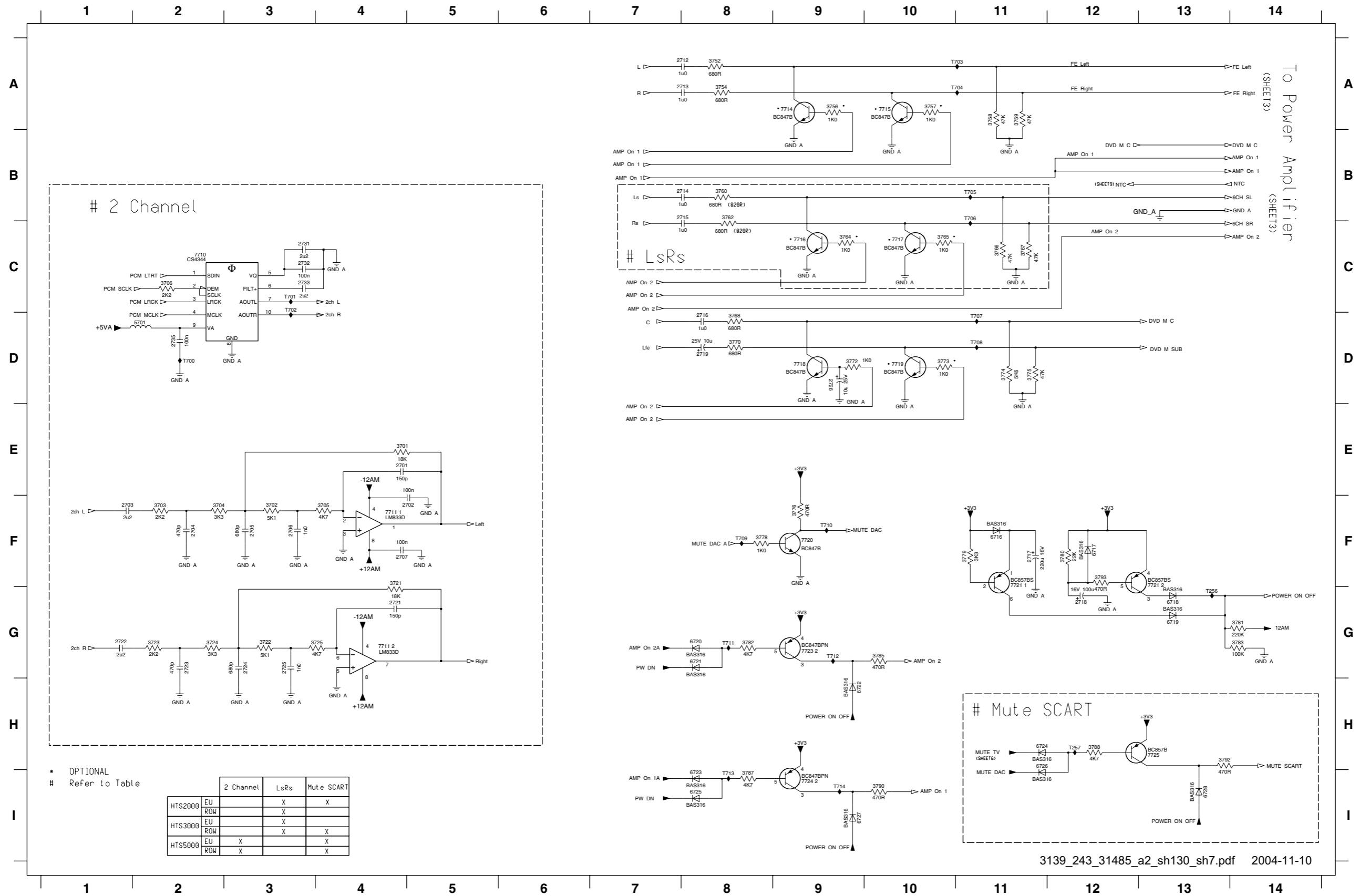
- 1500 D1
- 1501 H1
- 1502 F1
- 1506 G1
- 2500 A7
- 2501 A9
- 2502 C2
- 2504 C6
- 2505 A2
- 2506 F6
- 2507 G3
- 2508 G5
- 2509 G6
- 2510 G3
- 2511 G5
- 2512 F7
- 2513 E4
- 2514 E3
- 2515 E3
- 2516 E4
- 2518 F3
- 2519 F3
- 2520 A6
- 2522 A9
- 3500 A6
- 3501 A3
- 3502 A9
- 3503 A3
- 3504 A6
- 3505 A3
- 3506 A4
- 3507 A8
- 3508 B3
- 3509 B3
- 3510 C6
- 3511 C6
- 3513 D4
- 3514 D8
- 3516 D8
- 3517 D4
- 3518 F4
- 3519 F4
- 3520 F5
- 3521 E8
- 3522 G5
- 3523 E8
- 3524 G4
- 3525 G5
- 3526 G5
- 3527 F7
- 3528 F7
- 3529 G4
- 3530 E3
- 3531 E4
- 3532 E4
- 3534 E3
- 3535 E4
- 3536 F4
- 3538 H4
- 3539 I3
- 3540 I4
- 3541 I3
- 3542 I4
- 3543 I4
- 3544 D8
- 3545 D8
- 3546 B2
- 3547 C7
- 3548 C7
- 4506 C3
- 4507 D3
- 4511 H5
- 4512 H5
- 4513 I5
- 4514 I5
- 4515 H2
- 4516 H2
- 4517 H2
- 4518 I2
- 6500 C3
- 6501 C3
- 7500-1 B6
- 7500-2 B9
- 7502 B3
- 7503 D7
- 7504-1 I3
- 7504-2 I3
- F502 A2
- F503 A2
- F504 A1
- F505 A2
- F506 A2
- F507 A2
- F508 B2
- F509 B2
- F510 B2
- F511 C2
- F513 D2
- F514 D2
- F516 F3
- F517 G3
- F518 I2
- F520 E2
- F521 E2
- F522 H2
- F523 H2
- F524 G2
- F525 D2
- F526 A1
- T500 C6
- T501 D6
- T502 D6
- T503 E7
- T504 F7
- T505 D9
- T506 E9

Mono Board: Circuit Diagram (Part 6)



- 2110 H12
- 2601 C3
- 2602 C4
- 2603 I8
- 2610 H10
- 2614 B13
- 2615 B6
- 2516 B13
- 2619 G9
- 2620 C10
- 2621 A7
- 2622 C11
- 2623 C12
- 2624 C12
- 2628 C2
- 2629 B7
- 2630 D13
- 2636 D13
- 2639 D10
- 2640 D11
- 2641 D12
- 2642 D12
- 2645 E13
- 2646 B2
- 2655 B6
- 2658 B7
- 2659 E13
- 2661 F10
- 2662 F11
- 2663 F12
- 2664 F12
- 2666 G13
- 2669 G4
- 2670 G6
- 2671 G13
- 2673 G10
- 2674 G4
- 2675 I8
- 2676 G5
- 2677 G6
- 2678 H11
- 2679 G12
- 2680 G12
- 2681 G3
- 2682 C13
- 2683 I8
- 2684 H13
- 2687 I11
- 2688 I8
- 2689 I12
- 2691 I4
- 2692 I5
- 2695 A13
- 2696 A10
- 2697 A11
- 2698 A12
- 2699 A12
- 3525 A13
- 3602 A11
- 3603 B3
- 3604 B3
- 3605 C3
- 3606 C3
- 3609 A11
- 3510 A12
- 3611 A13
- 3612 C4
- 3613 B5
- 3616 C5
- 3618 C5
- 3619 B4
- 3620 B13
- 3621 C4
- 3622 C5
- 3623 C4
- 3624 C11
- 3625 C11
- 3626 C12
- 3627 C12
- 3628 C7
- 3630 D13
- 3632 B5
- 3633 D7
- 3634 B4
- 3635 D11
- 3636 D11
- 3637 D12
- 3638 D12
- 3639 D4
- 3641 D5
- 3642 D4
- 3643 D5
- 3644 E13
- 3645 F11
- 3646 F11
- 3647 F12
- 3648 F13
- 3649 F13
- 3652 H8
- 3653 G11
- 3654 G11
- 3655 G12
- 3656 G12
- 3657 G6
- 3658 H3
- 3659 I8
- 3660 H13
- 3662 H3
- 3663 H11
- 3664 H11
- 3665 H12
- 3667 H12
- 3671 I5
- 3678 I4
- 4601 A8
- 4602 A4
- 5604 A7
- 5605 G5
- 5606 I5
- 7613-1 B13
- 7613-2 C13
- 7615 A5
- 7616-1 D13
- 7616-2 F13
- 7619 G8
- 7621-1 G13
- 7621-2 I13
- 7622 G5
- 7600 G4
- 7601 G3
- 7602 H4
- 7603 H3
- 7604 I4
- 7605 H4
- 7606 G8
- 7607 G9
- 7608 I9
- 7609 I8

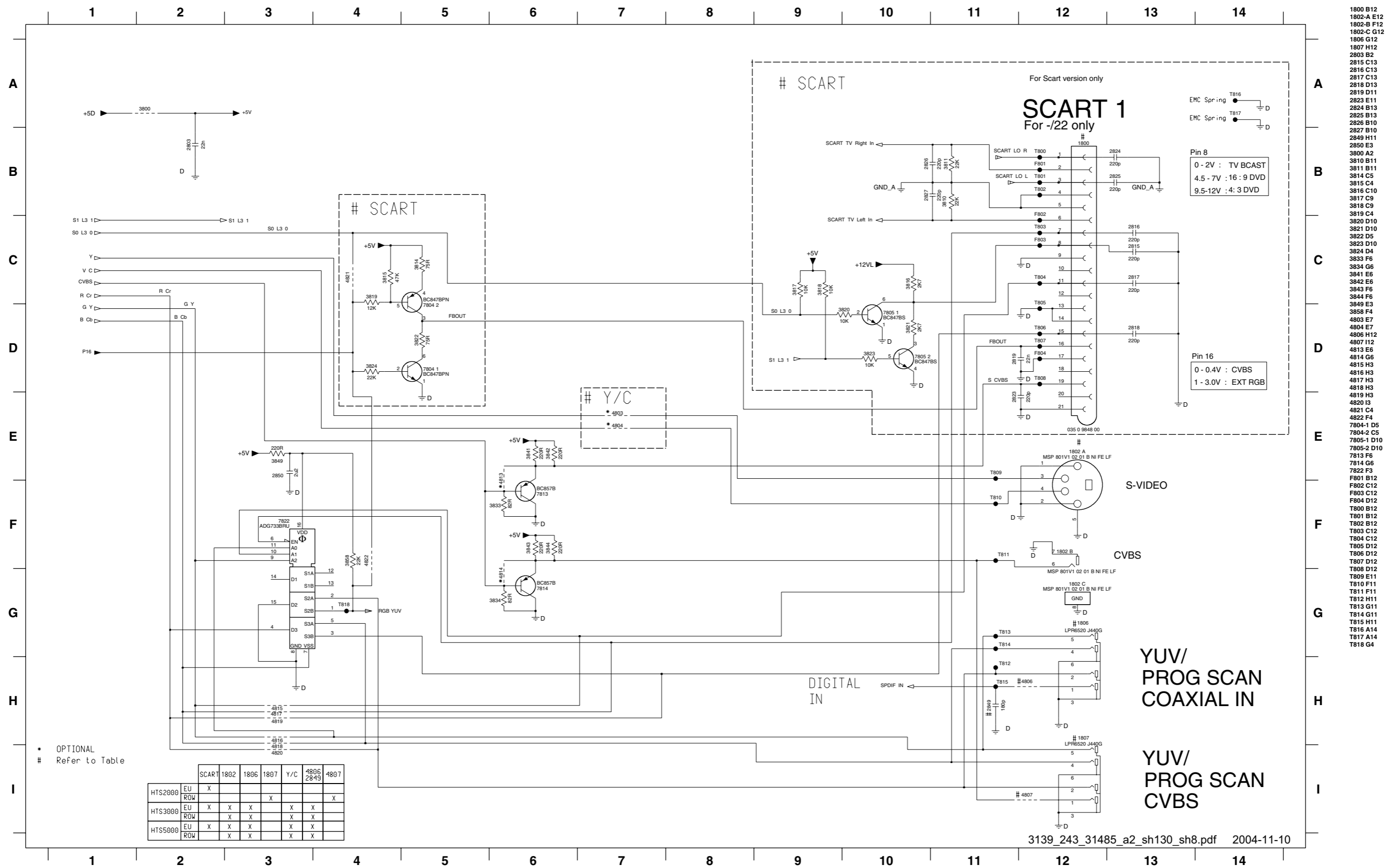
Mono Board: Circuit Diagram (Part 7)



- 2701 E4
- 2702 F5
- 2703 F1
- 2704 F2
- 2705 F3
- 2706 F3
- 2707 F4
- 2712 A8
- 2713 A8
- 2714 B8
- 2715 B8
- 2716 D8
- 2717 F11
- 2718 G12
- 2719 D8
- 2721 G4
- 2722 G1
- 2723 G2
- 2724 G3
- 2725 G3
- 2726 D9
- 2731 C3
- 2732 C3
- 2733 C3
- 2735 D2
- 3701 E4
- 3702 F3
- 3703 F2
- 3704 F2
- 3705 F4
- 3706 C2
- 3721 F4
- 3722 G3
- 3723 G2
- 3724 G2
- 3725 G4
- 3752 A8
- 3754 A8
- 3756 A9
- 3757 A10
- 3758 A11
- 3760 B8
- 3762 B8
- 3764 C9
- 3765 C10
- 3766 C11
- 3767 C11
- 3768 D8
- 3770 D8
- 3772 D9
- 3773 D10
- 3774 D11
- 3775 D11
- 3776 F9
- 3778 F8
- 3779 F11
- 3780 F12
- 3781 G14
- 3782 G8
- 3783 G14
- 3785 G10
- 3787 I8
- 3788 H12
- 3790 I10
- 3792 H13
- 3793 F12
- 5701 D2
- 6716 F11
- 6717 F12
- 6718 G13
- 6719 G13
- 6720 G8
- 6721 G8
- 6722 H9
- 6723 I9
- 6724 H11
- 6725 I8
- 6726 H11
- 6727 I9
- 6728 H13
- 7710 C2
- 7711-1 F4
- 7711-2 G4
- 7714 A9
- 7715 A10
- 7716 C9
- 7717 C10
- 7718 D9
- 7719 D10
- 7720 F9
- 7721-1 F11
- 7721-2 F13
- 7723-2 G9
- 7724-2 I9
- 7725 H13
- T256 G13
- T257 H12
- T700 D2
- T701 C3
- T702 C3
- T703 A11
- T704 A11
- T705 B11
- T706 B11
- T707 D11
- T708 D11
- T709 F9
- T710 F9
- T711 G8
- T712 G9

T713 I8
T714 I9

Mono Board: Circuit Diagram (Part 8)

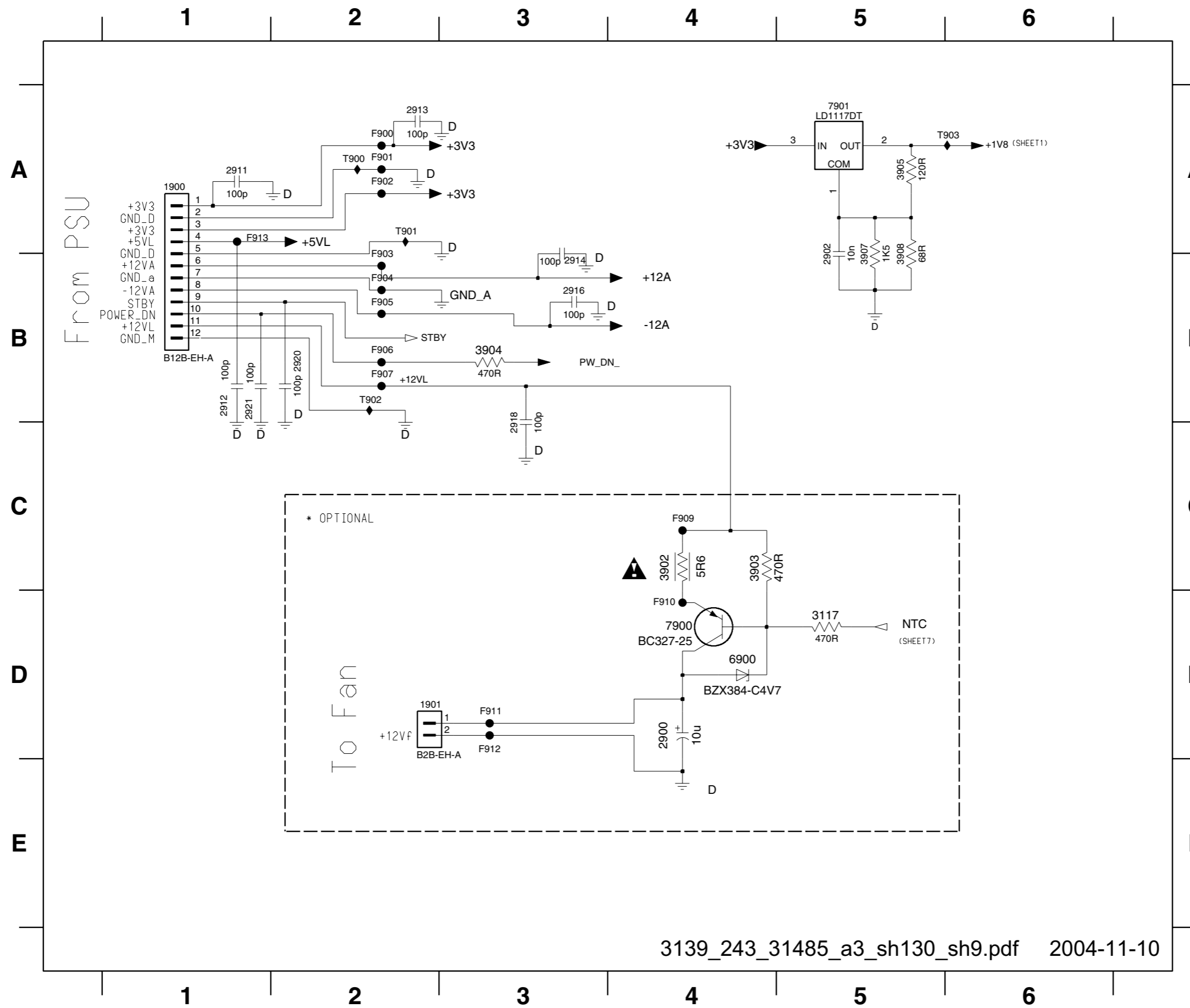


- 1800 B12
- 1802-A E12
- 1802-B F12
- 1802-C G12
- 1806 G12
- 1807 H12
- 2803 B2
- 2815 C13
- 2816 C13
- 2817 C13
- 2818 D13
- 2819 D11
- 2823 E11
- 2824 B13
- 2825 B13
- 2826 B10
- 2827 B10
- 2849 H11
- 2850 E3
- 3800 A2
- 3810 B11
- 3811 B11
- 3814 C5
- 3815 C4
- 3816 C10
- 3817 C9
- 3818 C9
- 3819 C4
- 3820 D10
- 3821 D10
- 3822 D5
- 3823 D10
- 3824 D4
- 3833 F6
- 3834 G6
- 3841 E6
- 3842 E6
- 3843 F6
- 3844 F6
- 3849 E3
- 3858 F4
- 4803 E7
- 4804 E7
- 4806 H12
- 4807 I12
- 4813 E6
- 4814 G6
- 4815 H3
- 4816 H3
- 4817 H3
- 4818 H3
- 4819 H3
- 4820 I3
- 4821 C4
- 4822 F4
- 7804-1 D5
- 7804-2 C5
- 7805-1 D10
- 7805-2 D10
- 7813 F6
- 7814 G6
- 7822 F3
- F801 B12
- F802 C12
- F803 C12
- F804 D12
- T800 B12
- T801 B12
- T802 B12
- T803 C12
- T804 C12
- T805 D12
- T806 D12
- T807 D12
- T808 D12
- T809 E11
- T810 F11
- T811 F11
- T812 H11
- T813 G11
- T814 G11
- T815 H11
- T816 A14
- T817 A14
- T818 G4

* OPTIONAL
Refer to Table

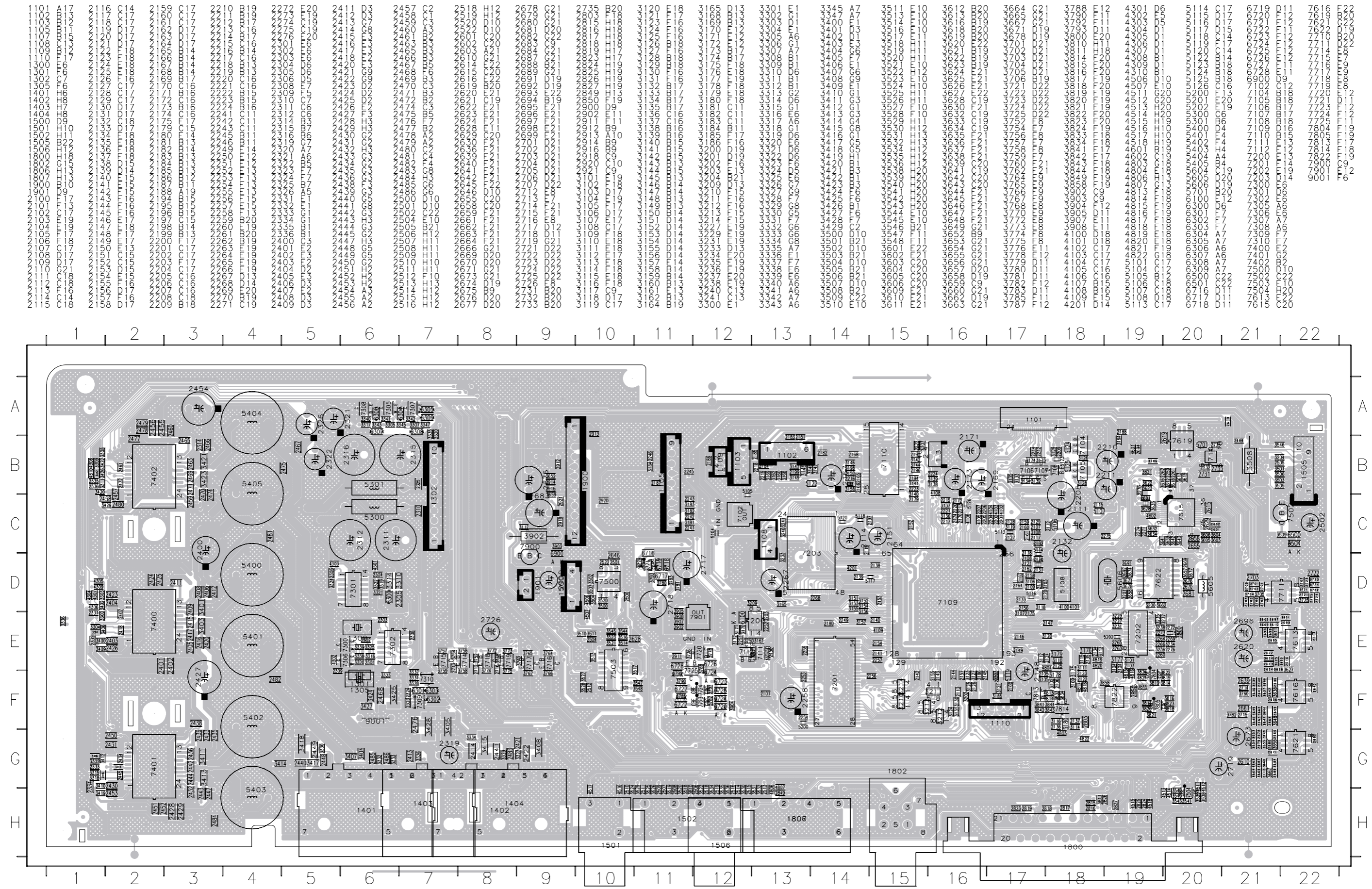
	SCART	1802	1806	1807	Y/C	4806 2849	4807
HTS2000	EU	X			X		X
HTS3000	EU	X	X	X	X	X	X
HTS5000	EU	X	X	X	X	X	X
	ROW	X	X	X	X	X	X

Mono Board: Circuit Diagram (Part 9)

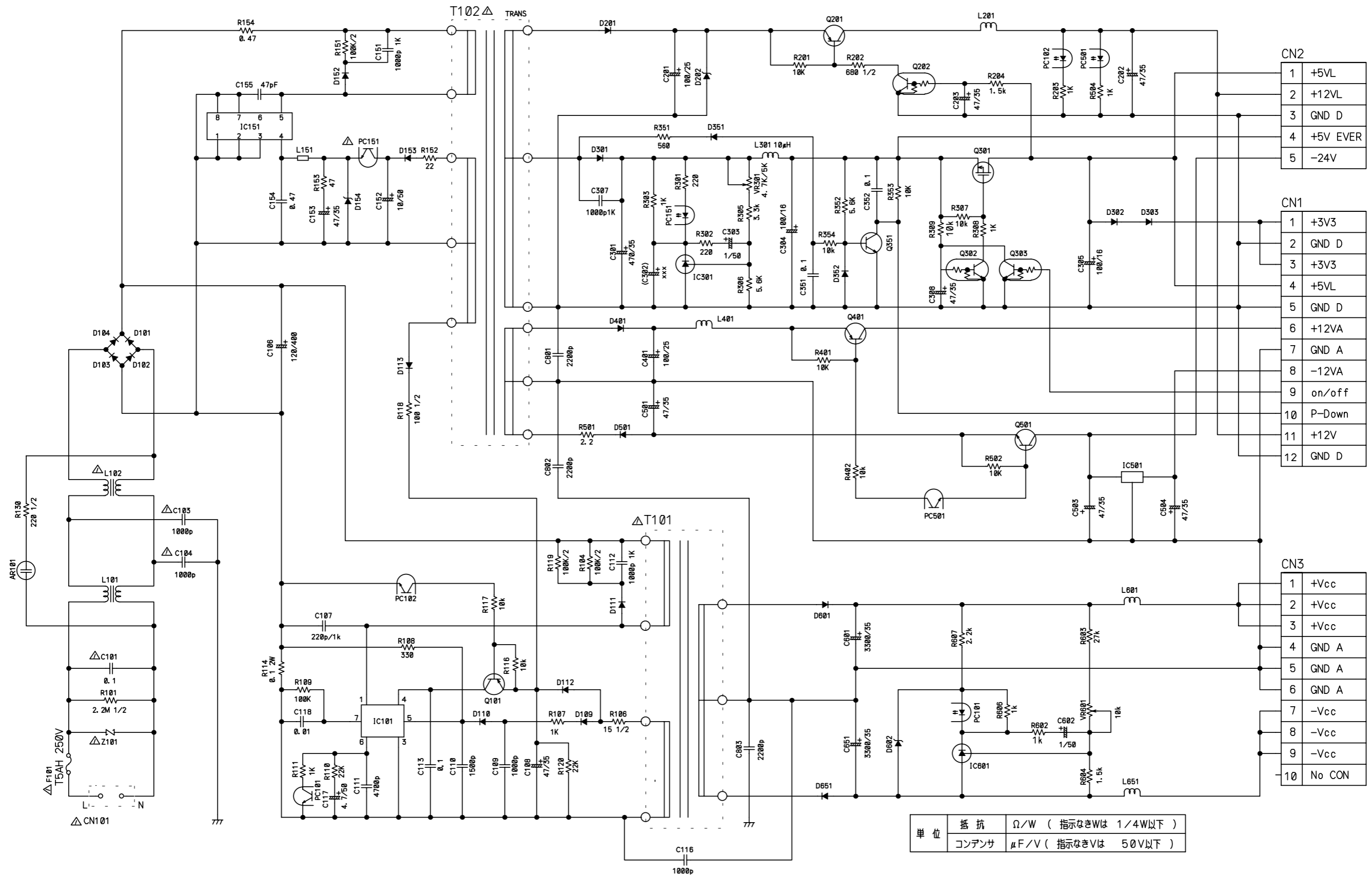


- 1900 A1
- 1901 D2
- 2900 D4
- 2902 B5
- 2911 A1
- 2912 B1
- 2913 A2
- 2914 B3
- 2916 B3
- 2918 C3
- 2920 B2
- 2921 B1
- 3107 D5
- 3902 C4
- 3903 C4
- 3904 B3
- 3905 A5
- 3907 B5
- 3908 B5
- 6900 D4
- 7900 D4
- 7901 A5
- F900 A2
- F901 A2
- F902 A2
- F903 B2
- F904 B2
- F905 B2
- F906 B2
- F907 B2
- F909 C4
- F910 D4
- F911 D3
- F912 D3
- F913 A1
- T900 A2
- T901 A2
- T902 B2
- T903 A6

Layout: Mono Board (Topview)



PSU Circuit Diagram (For information only)



CN2

1	+5VL
2	+12VL
3	GND D
4	+5V EVER
5	-24V

CN1

1	+3V3
2	GND D
3	+3V3
4	+5VL
5	GND D
6	+12VA
7	GND A
8	-12VA
9	on/off
10	P-Down
11	+12V
12	GND D

CN3

1	+Vcc
2	+Vcc
3	+Vcc
4	GND A
5	GND A
6	GND A
7	-Vcc
8	-Vcc
9	-Vcc
10	No CON

単位	抵抗	Ω/W (指示なきWは 1/4W以下)
	コンデンサ	μF/V (指示なきVは 50V以下)

() :no stuff

9. Exploded View of the Set

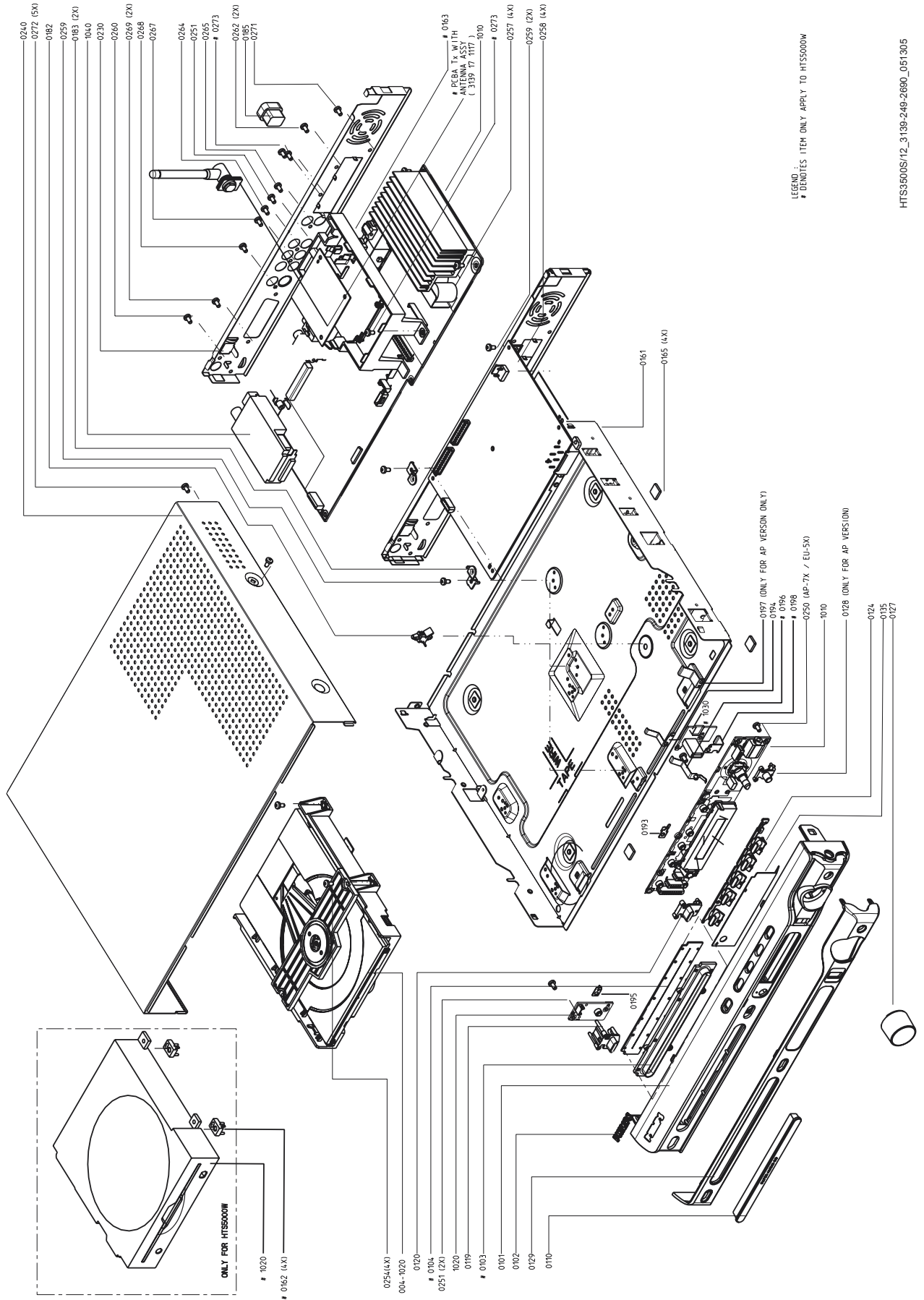


Figure 9-1

HTS3500K/51**MISCELLANEOUS**

0110	3139 244 06051	COVER CD TRAY CHROME
0119	3139 244 06041	BUTTON POWER/STANDBY PNT PRT
0120	3139 244 06031	BUTTON OPEN/CLOSE PNT PRT
0124	3139 244 06021	BUTTON SET SOURCE/CTRL PNT PRT
0127	3139 244 06011	KNOB VOLUME CHROME
0128	3139 244 05991	BUTTON MIC LEVEL PNT
0165	3139 243 10080	CUSHION FOOT
0325	3139 247 11681	BOX SPK ASSY SW-3500HTS-E
0326	3139 247 11691	BOX SPK ASSY CS-3500HTS-E
0332	2422 549 45386	ANT AM LOOP LAN-011 B
0332	2422 549 45813	ANT AM LOOP 039S20014 B (ALT)
0333	3139 258 70101	REMOTE CONTROL HTS3500S AP
0336	4822 321 11499	△ MAINSCORD 2.0M - EU
8001	3139 241 01381	FFC FOIL10P/120/10P AD FOLD
1020	3139 247 11121	LOADER ASSY ST KHM RX
1030	3139 117 11061	△ PCBA PSU 04-01 EU (MITSUMI)
1040	2422 542 00031	TUN A F ENG07806QRF EUR B

BOX SPK ASSY SW-3500HTS-E

9965 000 28372	HTS3500 SUBWOOFER
9965 000 28375	RUBBER FOOT
9965 000 28376	CABLE A'SSY 5.3M PURPLE SMK

BOX SPK ASSY CS-3500HTS-E

9965 000 28328	SPEAKER BOX FRONT-L
9965 000 28359	SPEAKER BOX FRONT-R
9965 000 28360	SPEAKER BOX REAR-L
9965 000 28361	SPEAKER BOX REAR-R
9965 000 28363	CABLE A'SSY 5.2M WHITE SMK
9965 000 28364	CABLE A'SSY 5.2M RED SMK
9965 000 28365	CABLE A'SSY 5.2M BLUE SMK
9965 000 28366	CABLE A'SSY 5.2M GREY SMK
9965 000 28370	RUBBER FOOT 40LX6WX2.5T
9965 000 28369	SPEAKER BOX CENTRE
9965 000 28371	RUBBER FOOT 40.5LX6.0WX1.5T
9965 000 28367	CABLE A'SSY 5.2M GREEN SMK S

PCBA MONO HTS3000S ROW**MISCELLANEOUS**

1101	2422 025 17529	CON BM H 24P F 0.50 FFC 0.3 R
1501	2422 026 04754	SOC CINCH H 2P F 2L1 WHRD B
1502	2422 026 05462	SOC CINCH H 4P F 2L2 WHRD Y
1505	4822 267 10729	10FE-BT-VK-N
1802	2422 033 00546	SOC COMBI H 2P F CINCH/MDIN Y
1806	2422 026 05707	SOC CINCH H 4P F 2L2 Y

CAPACITORS

2408	2238 600 15614	CER2 0805 X7R 100V 220P PM10 R
2411	2238 600 15614	CER2 0805 X7R 100V 220P PM10 R
2412	2238 600 15614	CER2 0805 X7R 100V 220P PM10 R
2416	2238 600 15614	CER2 0805 X7R 100V 220P PM10 R
2420	2238 600 15614	CER2 0805 X7R 100V 220P PM10 R
2427	2020 021 91431	ELCAP YXA 100V S 22U PM20
2435	2238 600 15614	CER2 0805 X7R 100V 220P PM10 R
2438	2238 600 15614	CER2 0805 X7R 100V 220P PM10 R
2439	2238 600 15614	CER2 0805 X7R 100V 220P PM10 R

CAPACITORS

2443	2238 600 15614	CER2 0805 X7R 100V 220P PM10 R
2447	2238 600 15614	CER2 0805 X7R 100V 220P PM10 R
2454	2020 021 91431	ELCAP YXA 100V S 22U PM20
2465	2238 600 15614	CER2 0805 X7R 100V 220P PM10 R
2466	2238 600 15614	CER2 0805 X7R 100V 220P PM10 R
2470	2238 600 15614	CER2 0805 X7R 100V 220P PM10 R
2474	2238 600 15614	CER2 0805 X7R 100V 220P PM10 R

RESISTORS

3210	4822 117 12662	10R X4 5%
3211	4822 117 12662	10R X4 5%
3212	4822 117 12662	10R X4 5%
3213	4822 117 12662	10R X4 5%
3214	4822 117 12662	10R X4 5%
3508	4822 052 10478	4R70 5% 0,33W
3849	2422 549 43062	IND FXD SM EMI 100MHZ 600R R

COILS & FILTERS

5101	2422 549 43062	IND FXD SM EMI 100MHZ 600R R
5104	2422 549 45618	IND FXD 0603 EMI 100MHZ 60R R
5105	2422 549 45618	IND FXD 0603 EMI 100MHZ 60R R
5106	4822 157 71206	BLM21A601SPT
5107	4822 157 71206	BLM21A601SPT
5108	2422 543 01393	RES XTL SM 27MHZ 10P CX8045 R
5113	2422 549 43062	IND FXD SM EMI 100MHZ 600R R
5114	2422 549 43062	IND FXD SM EMI 100MHZ 600R R
5115	2422 549 43062	IND FXD SM EMI 100MHZ 600R R
5116	2422 549 43062	IND FXD SM EMI 100MHZ 600R R
5117	2422 549 43062	IND FXD SM EMI 100MHZ 600R R
5118	2422 549 43062	IND FXD SM EMI 100MHZ 600R R
5119	4822 157 71206	BLM21A601SPT
5120	2422 549 45618	IND FXD 0603 EMI 100MHZ 60R R
5122	4822 157 71206	BLM21A601SPT
5123	2422 549 43062	IND FXD SM EMI 100MHZ 600R R
5124	3198 018 31090	FXDIND SM 0805 10U PM10 COL R
5125	3198 018 31090	FXDIND SM 0805 10U PM10 COL R
5126	2422 549 43062	IND FXD SM EMI 100MHZ 600R R
5200	2422 549 43062	IND FXD SM EMI 100MHZ 600R R
5201	2422 549 43062	IND FXD SM EMI 100MHZ 600R R
5202	2422 549 43062	IND FXD SM EMI 100MHZ 600R R
5300	4822 157 11411	100MHZ
5301	4822 157 11411	100MHZ
5400	2422 536 00822	IND FXD 16RHBP S 22U P10M20 B
5401	2422 536 00822	IND FXD 16RHBP S 22U P10M20 B
5402	2422 536 00822	IND FXD 16RHBP S 22U P10M20 B
5403	2422 536 00822	IND FXD 16RHBP S 22U P10M20 B
5404	2422 536 00822	IND FXD 16RHBP S 22U P10M20 B
5405	2422 536 00822	IND FXD 16RHBP S 22U P10M20 B
5604	2422 549 43062	IND FXD SM EMI 100MHZ 600R R

DIODES

6100	4822 130 11397	BAS316
6300	3198 020 55680	DIO REG SM BZX384-C5V6 COL R
6301	4822 130 11397	BAS316
6302	4822 130 11397	BAS316
6303	4822 130 11397	BAS316
6304	4822 130 11397	BAS316
6305	4822 130 11397	BAS316
6306	4822 130 11397	BAS316
6307	4822 130 11397	BAS316

DIODES

6308	4822 130 11397	BAS316
6309	4822 130 11397	BAS316
6500	4822 130 11397	BAS316
6501	9322 159 70685	DIO REG SM MM3Z9V1 (ONSE) R
6716	4822 130 11397	BAS316
6717	4822 130 11397	BAS316
6718	4822 130 11397	BAS316
6719	4822 130 11397	BAS316
6720	4822 130 11397	BAS316
6721	4822 130 11397	BAS316
6722	4822 130 11397	BAS316
6723	4822 130 11397	BAS316
6724	4822 130 11397	BAS316
6725	4822 130 11397	BAS316
6726	4822 130 11397	BAS316
6727	4822 130 11397	BAS316
6728	4822 130 11397	BAS316

TRANSISTORS & INTEGRATED CIRCUITS

7102	4822 209 17398	LD1117DT33
7104	4822 130 11565	2SB1132
7105	4822 130 11565	2SB1132
7106	9340 547 13215	FET SIG SM BSH103 (PHSE) R
7107	9340 547 13215	FET SIG SM BSH103 (PHSE) R
7108	9340 219 30115	BC817-25W
7109	9322 219 32671	IC SM MT1389EE/B-L (MEDI) Y
7110	9322 201 94668	IC SM MM1646XH (MITM) R
7112	5322 130 60159	BC846B
7201	9322 209 03668	IC SM IS42S16400B-7TL (ISSI) R
7202	9322 185 10668	IC SM CS8415A-CZ (CILO) R
7204	3139 110 53801	FLASH ASSY HTS3500
7300	5322 130 60159	BC846B
7301	5322 209 14477	HEF4013BT
7302	5322 209 11517	PC74HCU04T
7305	5322 130 60159	BC846B
7306	4822 130 60373	BC856B
7307	5322 130 60159	BC846B
7308	5322 130 60159	BC846B
7309	5322 130 60159	BC846B
7310	4822 130 60373	BC856B
7400	9352 753 45518	IC SM TDA8922BTH/N2 (PHSE) R
7401	9352 753 44518	IC SM TDA8920BTH/N2 (PHSE) R
7402	9352 753 45518	IC SM TDA8922BTH/N2 (PHSE) R
7500	4822 209 30095	LM833D
7502	4822 130 40959	BC547B
7503	5322 209 11102	HEF4052BT
7504	9340 425 20115	TRA SIG SM BC847BS (PHSE) R
7613	4822 209 30095	LM833D
7615	9322 215 93668	IC SM CS42406-CQZ (CILO) R
7616	4822 209 30095	LM833D
7619	4822 209 33411	MC78L05ACD
7621	4822 209 30095	LM833D
7720	5322 130 60159	BC846B
7721	9340 425 10115	TRA SIG SM BC857BS (PHSE) R
7723	9340 425 30115	TRA SIG SM BC847BPN (PHSE) R
7724	9340 425 30115	TRA SIG SM BC847BPN (PHSE) R
7725	4822 130 60373	BC856B
7822	9322 220 63668	IC SM TS5V330PW (TI00) R
7901	9322 144 97668	IC SM LD1117DT (ST00) R

PCBA FRONT HTS3000S ROW

1010	3139 118 58502	PCBA DISPLAY HTS3000S AP
1020	3139 118 58492	PCBA STAND-BY KEY HTS3000S

**PCBA DISPLAY HTS3000S AP
MISCELLANEOUS**

1701	3139 111 04131	FTD HUV-08SS57T (LX-3900SA)
1705	2422 129 16836	ROT ENCODER 12P EVEGC2F2012B B
1709	2422 026 05691	SOC PHONE H 1P F 3.5 MSJ Y
1710	4822 276 13775	SWITCH
1711	4822 276 13775	SWITCH
1712	4822 276 13775	SWITCH
1713	4822 276 13775	SWITCH
1714	4822 276 13775	SWITCH
1715	4822 276 13775	SWITCH
1716	4822 276 13775	SWITCH
1717	2422 540 98011	RES CER 455KHZ CSB*E B

COILS & FILTERS

5700	4822 126 14491	2.2UF 10V 0805
------	----------------	----------------

DIODES

6700	9322 179 76676	LED VS LTL-816EELC (LITO) A
6701	9340 548 54115	DIO REG SM PDZ6.2B (PHSE) R
6703	4822 130 11397	BAS316
6704	4822 130 11397	BAS316
6705	4822 130 11397	BAS316
6706	4822 130 11397	BAS316
6707	4822 130 11397	BAS316
6708	4822 130 11397	BAS316
6709	4822 130 11397	BAS316
6710	4822 130 11397	BAS316
6711	4822 130 11397	BAS316
6712	4822 130 11397	BAS316
6713	4822 130 11397	BAS316
6714	4822 130 11397	BAS316
6715	4822 130 11397	BAS316
6716	4822 130 11397	BAS316
6717	4822 130 11397	BAS316
6718	4822 130 11397	BAS316
6719	4822 130 11397	BAS316
6720	4822 130 11397	BAS316

TRANSISTORS & INTEGRATED CIRCUITS

7701	9322 185 95667	IR RECEIVER TSOP4836 (VISH)L
7702	4822 209 30095	LM833D
7703	5322 130 60159	BC846B
7704	5322 130 60159	BC846B
7705	4822 130 42804	BC817-25
7706	4822 130 60373	BC856B
7707	5322 130 60159	BC846B
7708	9322 217 04671	IC SM V63111LF (VAIT) Y

PCBA STAND-BY KEY HTS3000S

1901	4822 276 13775	SWITCH
------	----------------	--------

HTS5310K/51**MISCELLANEOUS**

0110	3139 244 06051	COVER CD TRAY CHROME
0119	3139 244 06041	BUTTON POWER/STANDBY PNT PRT
0120	3139 244 06031	BUTTON OPEN/CLOSE PNT PRT
0124	3139 244 06021	BUTTON SET SOURCE/CTRL PNT PRT
0127	3139 244 06011	KNOB VOLUME CHROME
0128	3139 244 05991	BUTTON MIC LEVEL PNT
0165	3139 243 10080	CUSHION FOOT
0325	3139 247 11681	BOX SPK ASSY SW-3500HTS-E
0326	3139 247 11621	BOX SPK ASSY CS-5310HTS/12
0332	2422 549 45386	ANT AM LOOP LAN-011 B
0332	2422 549 45813	ANT AM LOOP 039S20014 B (Alt)
0333	3139 258 70101	REMOTE CONTROL HTS3500S AP
0336	4822 321 11499	△ MAINSCORD 2.0M - EU
8001	3139 241 01381	FFC FOIL10P/120/10P AD FOLD
1020	3139 247 11121	LOADER ASSY ST KHM RX
1030	3139 117 11061	△ PCBA PSU 04-01 EU (MITSUMI)
1040	2422 542 00031	TUN A F ENG07806QRF EUR B

BOX SPK ASSY SW-3500HTS-E

9965 000 28372	HTS3500 SUBWOOFER
9965 000 28375	RUBBER FOOT
9965 000 28376	CABLE A'SSY 5.3M PURPLE SMK

BOX SPK ASSY CS-5310HTS/12

9965 000 30398	SPEAKER BOX -M-L
9965 000 30399	SPEAKER BOX -M-R
9965 000 30400	SPEAKER BOX -S-L
9965 000 30401	SPEAKER BOX -S-R
9965 000 30392	CABLE ASSY - 6080MM WHITE
9965 000 30393	CABLE ASSY - 6080MM RED
9965 000 30394	CABLE ASSY - 16080MM BLUE
9965 000 30395	CABLE ASSY - 16080MM GREY
9965 000 30397	RUBBER FOOT (L/R SPK)
9965 000 30402	SPEAKER BOX (CENTRE)
9965 000 28367	CABLE A'SSY 5.2M GREEN SMK S
9965 000 28371	RUBBER FOOT 40.5LX6.0WX1.5T

PCBA MONO HTS3000S ROW**MISCELLANEOUS**

1101	2422 025 17529	CON BM H 24P F 0.50 FFC 0.3 R
1501	2422 026 04754	SOC CINCH H 2P F 2L1 WHRD B
1502	2422 026 05462	SOC CINCH H 4P F 2L2 WHRD Y
1505	4822 267 10729	10FE-BT-VK-N
1802	2422 033 00546	SOC COMBI H 2P F CINCH/MDIN Y
1806	2422 026 05707	SOC CINCH H 4P F 2L2 Y

CAPACITORS

2408	2238 600 15614	CER2 0805 X7R 100V 220P PM10 R
2411	2238 600 15614	CER2 0805 X7R 100V 220P PM10 R
2412	2238 600 15614	CER2 0805 X7R 100V 220P PM10 R
2416	2238 600 15614	CER2 0805 X7R 100V 220P PM10 R
2420	2238 600 15614	CER2 0805 X7R 100V 220P PM10 R
2427	2020 021 91431	ELCAP YXA 100V S 22U PM20
2435	2238 600 15614	CER2 0805 X7R 100V 220P PM10 R
2438	2238 600 15614	CER2 0805 X7R 100V 220P PM10 R
2439	2238 600 15614	CER2 0805 X7R 100V 220P PM10 R

CAPACITORS

2443	2238 600 15614	CER2 0805 X7R 100V 220P PM10 R
2447	2238 600 15614	CER2 0805 X7R 100V 220P PM10 R
2454	2020 021 91431	ELCAP YXA 100V S 22U PM20
2465	2238 600 15614	CER2 0805 X7R 100V 220P PM10 R
2466	2238 600 15614	CER2 0805 X7R 100V 220P PM10 R
2470	2238 600 15614	CER2 0805 X7R 100V 220P PM10 R
2474	2238 600 15614	CER2 0805 X7R 100V 220P PM10 R

RESISTORS

3210	4822 117 12662	10R X4 5%
3211	4822 117 12662	10R X4 5%
3212	4822 117 12662	10R X4 5%
3213	4822 117 12662	10R X4 5%
3214	4822 117 12662	10R X4 5%
3508	4822 052 10478	4R70 5% 0,33W
3849	2422 549 43062	IND FXD SM EMI 100MHZ 600R R

COILS & FILTERS

5101	2422 549 43062	IND FXD SM EMI 100MHZ 600R R
5104	2422 549 45618	IND FXD 0603 EMI 100MHZ 60R R
5105	2422 549 45618	IND FXD 0603 EMI 100MHZ 60R R
5106	4822 157 71206	BLM21A601SPT
5107	4822 157 71206	BLM21A601SPT
5108	2422 543 01393	RES XTL SM 27MHZ 10P CX8045 R
5113	2422 549 43062	IND FXD SM EMI 100MHZ 600R R
5114	2422 549 43062	IND FXD SM EMI 100MHZ 600R R
5115	2422 549 43062	IND FXD SM EMI 100MHZ 600R R
5116	2422 549 43062	IND FXD SM EMI 100MHZ 600R R
5117	2422 549 43062	IND FXD SM EMI 100MHZ 600R R
5118	2422 549 43062	IND FXD SM EMI 100MHZ 600R R
5119	4822 157 71206	BLM21A601SPT
5120	2422 549 45618	IND FXD 0603 EMI 100MHZ 60R R
5122	4822 157 71206	BLM21A601SPT
5123	2422 549 43062	IND FXD SM EMI 100MHZ 600R R
5124	3198 018 31090	FXDIND SM 0805 10U PM10 COL R
5125	3198 018 31090	FXDIND SM 0805 10U PM10 COL R
5126	2422 549 43062	IND FXD SM EMI 100MHZ 600R R
5200	2422 549 43062	IND FXD SM EMI 100MHZ 600R R
5201	2422 549 43062	IND FXD SM EMI 100MHZ 600R R
5202	2422 549 43062	IND FXD SM EMI 100MHZ 600R R
5300	4822 157 11411	100MHZ
5301	4822 157 11411	100MHZ
5400	2422 536 00822	IND FXD 16RHBP S 22U P10M20 B
5401	2422 536 00822	IND FXD 16RHBP S 22U P10M20 B
5402	2422 536 00822	IND FXD 16RHBP S 22U P10M20 B
5403	2422 536 00822	IND FXD 16RHBP S 22U P10M20 B
5404	2422 536 00822	IND FXD 16RHBP S 22U P10M20 B
5405	2422 536 00822	IND FXD 16RHBP S 22U P10M20 B
5604	2422 549 43062	IND FXD SM EMI 100MHZ 600R R

DIODES

6100	4822 130 11397	BAS316
6300	3198 020 55680	DIO REG SM BZX384-C5V6 COL R
6301	4822 130 11397	BAS316
6302	4822 130 11397	BAS316
6303	4822 130 11397	BAS316
6304	4822 130 11397	BAS316
6305	4822 130 11397	BAS316
6306	4822 130 11397	BAS316
6307	4822 130 11397	BAS316

DIODES

6308	4822 130 11397	BAS316
6309	4822 130 11397	BAS316
6500	4822 130 11397	BAS316
6501	9322 159 70685	DIO REG SM MM3Z9V1 (ONSE) R
6716	4822 130 11397	BAS316
6717	4822 130 11397	BAS316
6718	4822 130 11397	BAS316
6719	4822 130 11397	BAS316
6720	4822 130 11397	BAS316
6721	4822 130 11397	BAS316
6722	4822 130 11397	BAS316
6723	4822 130 11397	BAS316
6724	4822 130 11397	BAS316
6725	4822 130 11397	BAS316
6726	4822 130 11397	BAS316
6727	4822 130 11397	BAS316
6728	4822 130 11397	BAS316

TRANSISTORS & INTEGRATED CIRCUITS

7102	4822 209 17398	LD1117DT33
7104	4822 130 11565	2SB1132
7105	4822 130 11565	2SB1132
7106	9340 547 13215	FET SIG SM BSH103 (PHSE) R
7107	9340 547 13215	FET SIG SM BSH103 (PHSE) R
7108	9340 219 30115	BC817-25W
7109	9322 219 32671	IC SM MT1389EE/B-L (MEDI) Y
7110	9322 201 94668	IC SM MM1646XH (MITM) R
7112	5322 130 60159	BC846B
7201	9322 209 03668	IC SM IS42S16400B-7TL (ISSI) R
7202	9322 185 10668	IC SM CS8415A-CZ (CILO) R
7204	3139 110 53801	FLASH ASSY HTS3500
7300	5322 130 60159	BC846B
7301	5322 209 14477	HEF4013BT
7302	5322 209 11517	PC74HCU04T
7305	5322 130 60159	BC846B
7306	4822 130 60373	BC856B
7307	5322 130 60159	BC846B
7308	5322 130 60159	BC846B
7309	5322 130 60159	BC846B
7310	4822 130 60373	BC856B
7400	9352 753 45518	IC SM TDA8922BTH/N2 (PHSE) R
7401	9352 753 44518	IC SM TDA8920BTH/N2 (PHSE) R
7402	9352 753 45518	IC SM TDA8922BTH/N2 (PHSE) R
7500	4822 209 30095	LM833D
7502	4822 130 40959	BC547B
7503	5322 209 11102	HEF4052BT
7504	9340 425 20115	TRA SIG SM BC847BS (PHSE) R
7613	4822 209 30095	LM833D
7615	9322 215 93668	IC SM CS42406-CQZ (CILO) R
7616	4822 209 30095	LM833D
7619	4822 209 33411	MC78L05ACD
7621	4822 209 30095	LM833D
7720	5322 130 60159	BC846B
7721	9340 425 10115	TRA SIG SM BC857BS (PHSE) R
7723	9340 425 30115	TRA SIG SM BC847BPN (PHSE) R
7724	9340 425 30115	TRA SIG SM BC847BPN (PHSE) R
7725	4822 130 60373	BC856B
7822	9322 220 63668	IC SM TS5V330PW (TI00) R
7901	9322 144 97668	IC SM LD1117DT (ST00) R

PCBA FRONT HTS3000S ROW

1010	3139 118 58502	PCBA DISPLAY HTS3000S AP
1020	3139 118 58492	PCBA STAND-BY KEY HTS3000S

PCBA DISPLAY HTS3000S AP**MISCELLANEOUS**

1701	3139 111 04131	FTD HUV-08SS57T (LX-3900SA)
1705	2422 129 16836	ROT ENCODER 12P EVEGC2F2012B B
1709	2422 026 05691	SOC PHONE H 1P F 3.5 MSJ Y
1710	4822 276 13775	SWITCH
1711	4822 276 13775	SWITCH
1712	4822 276 13775	SWITCH
1713	4822 276 13775	SWITCH
1714	4822 276 13775	SWITCH
1715	4822 276 13775	SWITCH
1716	4822 276 13775	SWITCH
1717	2422 540 98011	RES CER 455KHZ CSB*E B

COILS & FILTERS

5700	4822 126 14491	2.2UF 10V 0805
------	----------------	----------------

DIODES

6700	9322 179 76676	LED VS LTL-816EELC (LITO) A
6701	9340 548 54115	DIO REG SM PDZ6.2B (PHSE) R
6703	4822 130 11397	BAS316
6704	4822 130 11397	BAS316
6705	4822 130 11397	BAS316
6706	4822 130 11397	BAS316
6707	4822 130 11397	BAS316
6708	4822 130 11397	BAS316
6709	4822 130 11397	BAS316
6710	4822 130 11397	BAS316
6711	4822 130 11397	BAS316
6712	4822 130 11397	BAS316
6713	4822 130 11397	BAS316
6714	4822 130 11397	BAS316
6715	4822 130 11397	BAS316
6716	4822 130 11397	BAS316
6717	4822 130 11397	BAS316
6718	4822 130 11397	BAS316
6719	4822 130 11397	BAS316
6720	4822 130 11397	BAS316

TRANSISTORS & INTEGRATED CIRCUITS

7701	9322 185 95667	IR RECEIVER TSOP4836 (VISH)L
7702	4822 209 30095	LM833D
7703	5322 130 60159	BC846B
7704	5322 130 60159	BC846B
7705	4822 130 42804	BC817-25
7706	4822 130 60373	BC856B
7707	5322 130 60159	BC846B
7708	9322 217 04671	IC SM V63111LF (VAIT) Y

PCBA STAND-BY KEY HTS3000S

1901	4822 276 13775	SWITCH
------	----------------	--------